



SafetyRailCompany
Fall Protection for Life and Compliance



SRC360 MOBILE SAFETY RAIL

PASSIVE FALL PROTECTION



PROUDLY 100%
MADE IN THE USA



SRC360 MOBILE SAFETY RAIL SYSTEM

The SRC360 Mobile Safety Rail System is an OSHA compliant passive fall protection system. Our fall protection railing system adheres to OSHA's Hierarchy of Control pyramid which recognizes that hazards may always be present but that risks to personnel can be safely controlled and isolated through highly effective, engineered fall protection systems. The SRC360 Railing System is designed to be used at or around leading edge fall hazard areas to prevent workers from being exposed to the fall hazard itself. Our unique design utilizes weighted cast iron base plates around workplace safety hazards. Steel guardrails are pinned into the base forming a ballasted system designed to meet OSHA's fall protection standards (29 CFR 1910.28(b), 1910.29(b) and 29 CFR 1926.502). No mechanical connection or drilling into the substrate is required. The system is completely free-standing and non-penetrating.

The modular design of the SRC360 Mobile Railing System also makes this system very flexible. The railings are capable of rotating 360 degrees while pinned into the base which allows the system to be configured in a variety of shapes which is especially important when guarding around equipment and obstructions on the jobsite.



USES

The uses for SRC360 are almost endless. Wherever fall protection is required the SRC360 Mobile Railing System is a quick, effective means of guarding the hazard. Areas like:

- Roof Perimeters
- Skylights / Roof Hatches
- Excavations
- Loading Docks and more

INSTALLATION REQUIREMENTS:

- Designed for low-slope roofs or inclines not to exceed 1:12 pitch
- 5' return railings must be placed at each end of leading edge railing run
- System must be pinned together
- System must be installed on sound substrate



OSHA COMPLIANCE

SRC360 Mobile Railing System meets or exceeds OSHA guidelines for guardrails.

29 CFR 1910.28(b), 1910.29(b) and 29 CFR 1926.502

Certified test results are available on request



The SRC360 Mobile Safety Rail System is completely free-standing and non-penetrating. It requires no drilling, welding, cutting or tools for installation.

Base transporter moves bases easily.

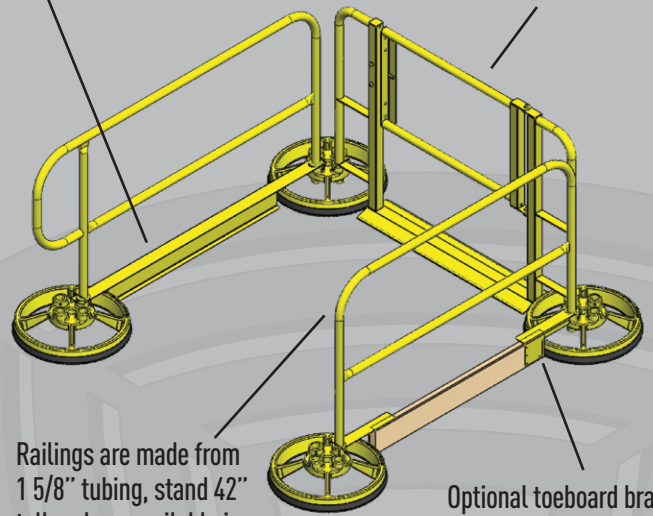
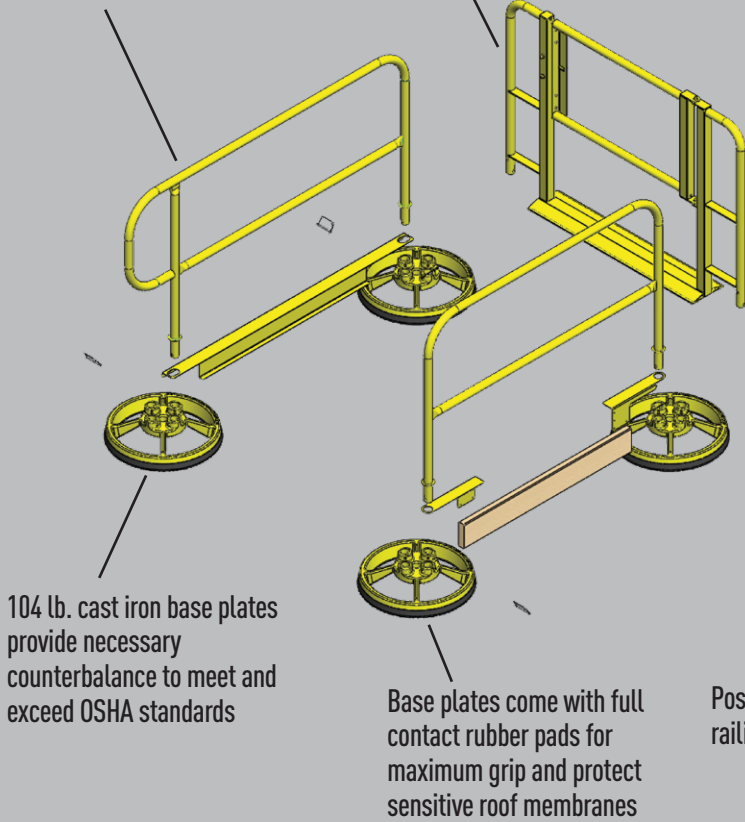


Optional Finish Railings offer a smooth transition at ladder access or wall terminations

Optional access gates are available in 3' - 10' sizes

Optional steel toeboards are available for all railing sizes

SRC360 standard finish is yellow powder coat. A wide range of RAL color options and galvanized finish are also available



104 lb. cast iron base plates provide necessary counterbalance to meet and exceed OSHA standards

Base plates come with full contact rubber pads for maximum grip and protect sensitive roof membranes

Positive latch safety pins hold railing into base plate

Railings are made from 1 5/8" tubing, stand 42" tall and are available in 2' - 10' standard lengths and custom sizes

Optional toeboard bracket allows attachment of wood 2x4's and 2x6's

Base plates allow four railings to intersect on a single base and accept up to 1 1/4" schedule 40 pipe.

NON-PENETRATING • QUICK INSTALL • VERSITILE • LOW COST PER FOOT • OSHA COMPLIANT • PERMANENT OR TEMPORARY USE

HOW SRC360 MOBILE RAILING SYSTEMS PERFORM

There is no limit to the number of SRC360 Mobile Railing Systems that can be setup in a straight line along a leading edge. Because these systems are pinned together they form a unified barrier that increases in strength with the number of systems used. When a railing run is either started or terminated a 5' return railing system is placed at each end perpendicular to the leading edge, thereby forming a large "U" shaped setup. Once configured like this the system will meet all applicable OSHA standards for fall protection. There is no need for intermediate return railings in the system - reducing costs and eliminating trip hazards.



SRC360 HIDE-A-RAIL SYSTEM

The Hide-A-Rail system is the perfect answer for the customer that needs fall protection but doesn't want to see it visible when not in use. Hide-A-Rail is a fold-down railing system that allows the railings to lay flat and out of sight. When workers need to access the area they simply fold the railings up, pin in place and go about their duties.



COMMON APPLICATIONS



ROOF PERIMETERS



SKYLIGHTS



HVAC / ROOFTOP EQUIPMENT



GATE ACCESS



LADDER ACCESS



ROOF HATCH

ACCESSORIES



FINISH RAILS



CORNER PARAPET RAILING



IN-LINE PARAPET RAILING



LADDER AND WALL SPANNERS



TOEBOARDS



ROOF MATS



ADJUSTABLE RAILING HEIGHT ADAPTER



CUSTOM RAILINGS

