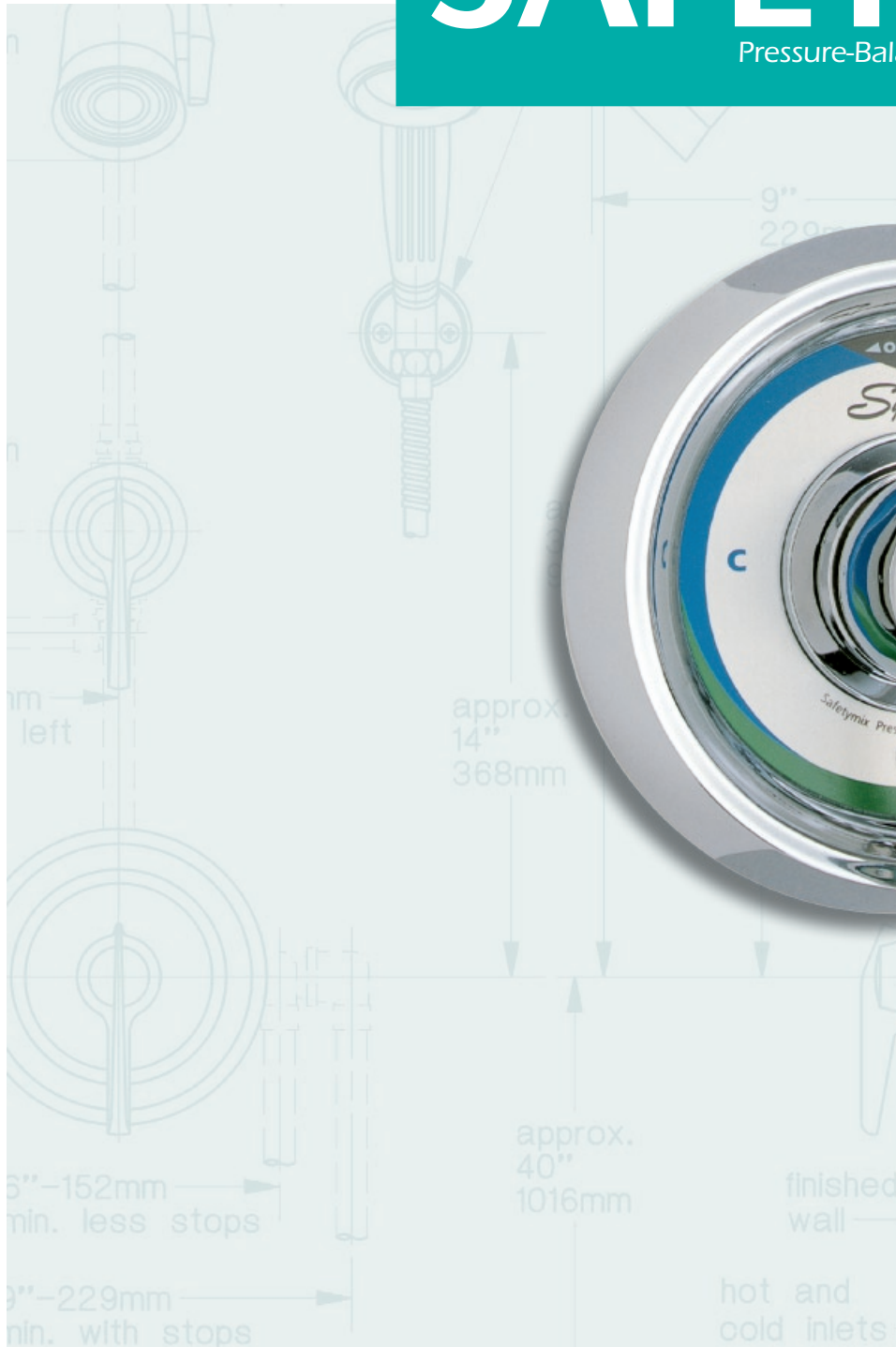


SAFETYMIX[®]

Pressure-Balancing Shower Valves and Systems



Symmons[®]

SAFETYMIX® Shower and Tub/Shower Systems with Super Shower Heads



1-100

1-100 SAFETYMIX pressure-balancing mixing valve with adjustable stop screw to limit handle turn. Super shower head with arm and flange.

1-215-X SAFETYMIX pressure-balancing mixing valve with integral service stops and adjustable stop screw to limit handle turn. Diverter tub spout with twin ell, Super shower head with arm and flange.

4-500 SAFETYMIX pressure-balancing mixing valve with adjustable stop screw to limit handle turn (not shown).



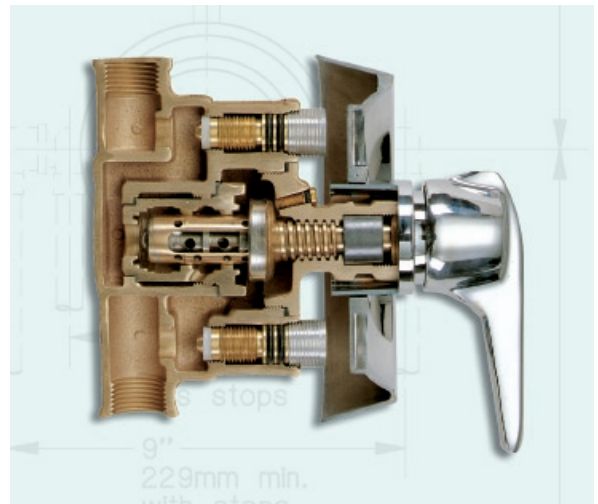
1-215-X

SAFETYMIX, the original.

Over sixty years ago, Symmons developed and patented the first fully pressure-balancing, single handle shower mixing valve. It's always been our standard that where safety is concerned, there is no second best. SAFETYMIX pressure-balancing mixing valves are designed and built to last the life of the building. So if your next project requires a rugged, durable valve to withstand the rigors of a high use commercial or institutional project, think Symmons, think SAFETYMIX.

Product Features:

- All functioning valve parts are brass, bronze and stainless steel for maximum trouble free performance.
- Brass adjustable limit stop screw to prohibit valve handle from being turned to excessive hot discharge temperatures. Easy to set, provides full range adjustment.
- Symmons valves and shower heads comply with all known standards, codes and specifications: CSA B-125, ANSI A112.18.1M, ASSE 1016, EPA '92.
- Lever handle operation for positive grip and ADA (Americans with Disabilities Act) compliance.



Shower and Tub/Shower Systems with Flexible Hose & Spray for fixed wall or hand-held use



1-117-FS SAFETYMIX pressure-balancing mixing valve with adjustable stop screw to limit handle turn. Levertrol lever diverter with volume control. Super shower head with arm and flange. Wall/hand shower with flexible metal hose, in-line vacuum breaker, wall connection and flange. Wall hook for hand shower mounting.



1-217-X-FS SAFETYMIX pressure-balancing mixing valve with integral service stops and adjustable stop screw to limit handle turn. Levertrol lever diverter with volume control. Super shower head with arm and flange. Tub spout, wall/hand shower with flexible metal hose, in-line vacuum breaker, wall connection and flange. Wall hook for hand shower mounting.



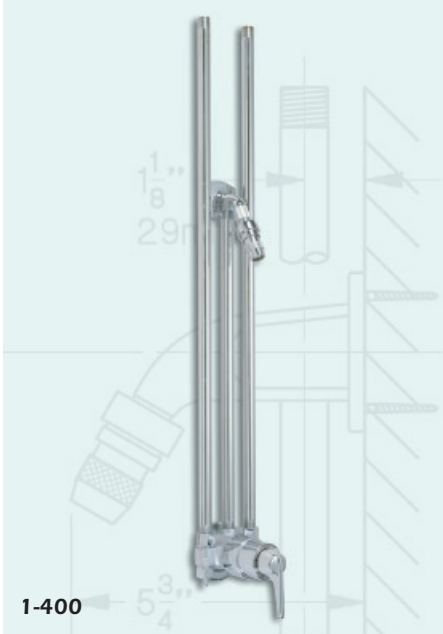
1-25-FSB SAFETYMIX pressure-balancing mixing valve with adjustable stop screw to limit handle turn. Wall/hand shower with flexible metal hose, in-line vacuum breaker, wall connection and flange. 30" slide bar for hand shower mounting.



1-50-FSB SAFETYMIX pressure-balancing mixing valve with adjustable stop screw to limit handle turn. Levertrol lever diverter with volume control. Tub spout, wall/hand shower with flexible metal hose, in-line vacuum breaker, wall connection and flange. 30" slide bar for hand shower mounting.

Modifications: **Suffix X:** Integral service stops - allows water shutoff at valve ▪ **Suffix BX:** Back inlet and outlet connections, integral stops ▪ **Suffix X-REV:** Reverse coring, hot on right, cold on left, for back to back installations with integral stops only ▪ **Suffix X^{3/4}:** 3/4" valve to increase flow approximately 20% ▪ **Suffix E:** External volume control on shower head ▪ **Prefix L:** Lucite handle in place of lever handle ▪ **Suffix FSB:** Use in lieu of suffix FS if 30" adjusting bar is desired in place of wall hooks on hand shower units ▪ **Suffix B-48:** 48" adjusting bar in place of 30" bar on hand shower units ▪ **Suffix VB:** Elevated vacuum breaker in place of in-line vacuum breaker ▪ **Suffix OD:** Quick disconnect on hand shower units ▪ **Suffix 6:** 6' hose in place of 5' hose ▪ **Suffix R:** Vinyl hose in place of metal on hand shower units

Exposed SAFETYMIX® Shower Systems with Fre-Flo Shower Heads



1-400 Exposed SAFETYMIX pressure-balancing mixing valve with integral unions, 20" head riser, head bracket, Fre-Flo shower head and 32" supply risers.

1-410 Exposed SAFETYMIX pressure-balancing mixing valve with integral unions, 20" head riser, head bracket, Fre-Flo shower head and street ells with escutcheons.

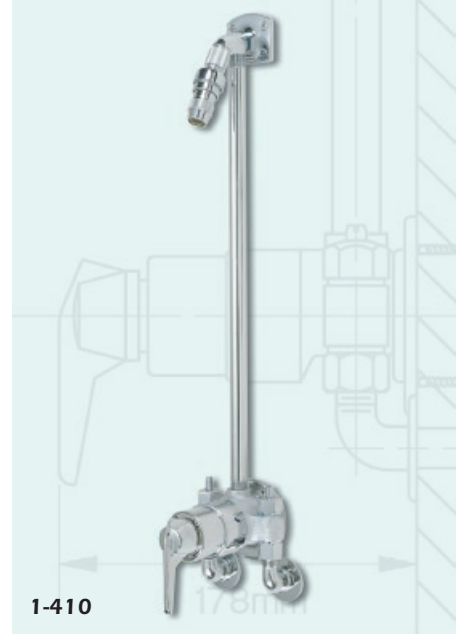
4-521 Exposed SAFETYMIX pressure-balancing mixing valve with wall flange and integral unions (not shown).

1-500 Exposed SAFETYMIX pressure-balancing mixing valve with integral unions, wall flange, 20" head riser, extended head bracket, rigid Fre-Flo shower head and 32" supply risers.

1-510 Exposed SAFETYMIX pressure-balancing mixing valve with integral unions, wall flange, 20" head riser, extended head bracket, rigid Fre-Flo shower head and street ells with escutcheons.

Modifications: Suffix X: Integral service stops - allows water shutoff at valve
Suffix A: Anchor plates for valve and head
Suffix E: External volume control on head

Products meet ANSI A112.18.1M
 Showerheads and Hand showers 2.5 gpm (9.5 L/min)



SYMMONS INDUSTRIES, INC., 31 Brooks Drive, Braintree, Massachusetts 02184-3804
 Tel: 1-800-SYMMONS, (781) 848-2250 Fax: 1-800-961-9621, (781) 843-3849
 Website: www.symmons.com
 © 1998-2002 Symmons Industries, Inc.