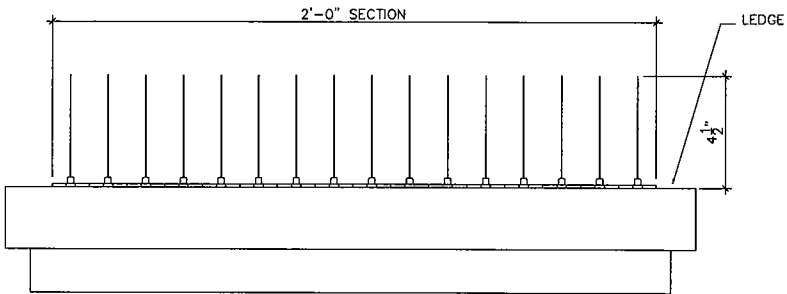
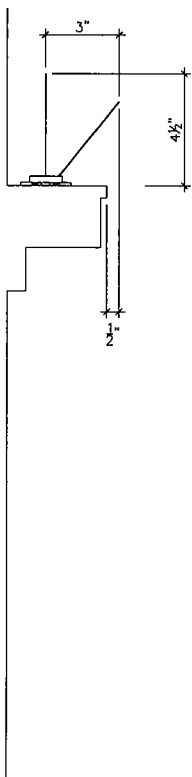


BIRD-B-GONE, INC.

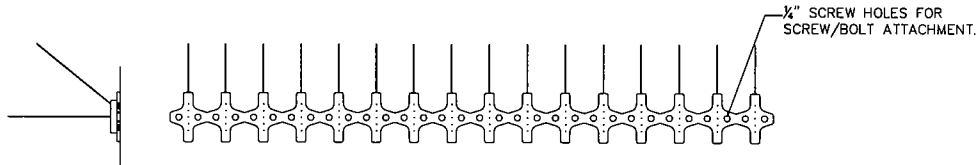
BIRD SPIKE 2001-3"

23918 SKYLINE
MISSION VIEJO, CA 92692
TEL: 800-392-6915 OR 949-472-3122
FAX: 949-472-3116

SIDE VIEW @ LEDGE



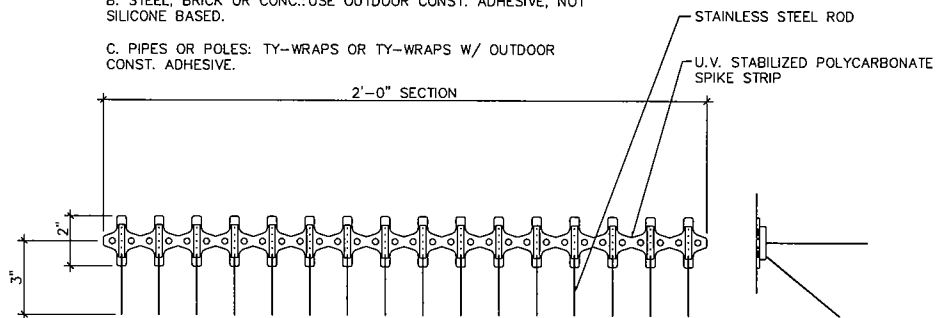
FRONT VIEW



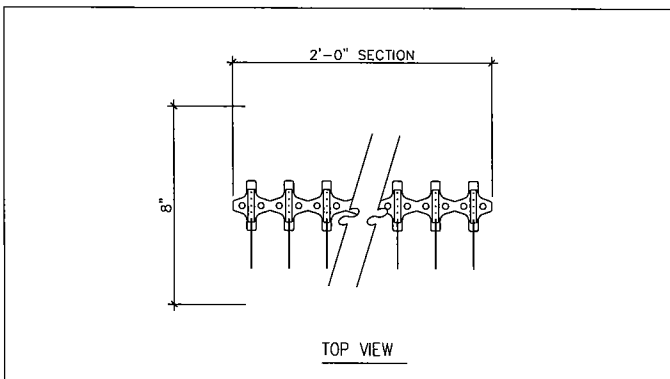
BOTTOM VIEW

NOTE: SPEC. MOUNTING SYSTEM PER PROJECT CONDITIONS:

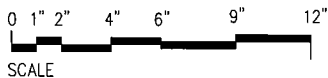
- A. WOOD: USE #8 WOOD SCREWS.
- B. STEEL, BRICK OR CONC.: USE OUTDOOR CONST. ADHESIVE, NOT SILICONE BASED.
- C. PIPES OR POLES: TY-WRAPS OR TY-WRAPS W/ OUTDOOR CONST. ADHESIVE.



TOP VIEW



TOP VIEW

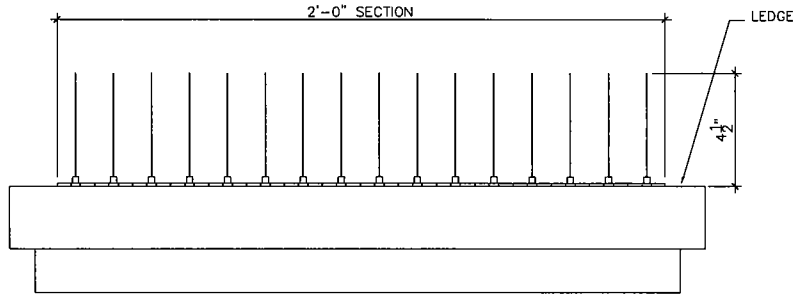
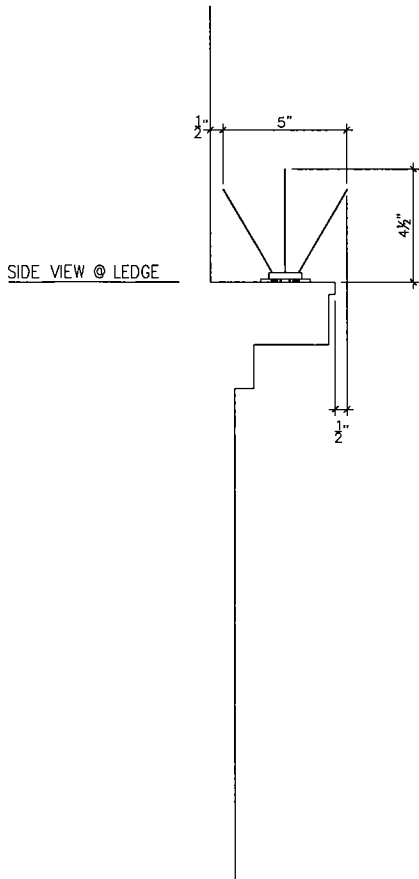


SCALE

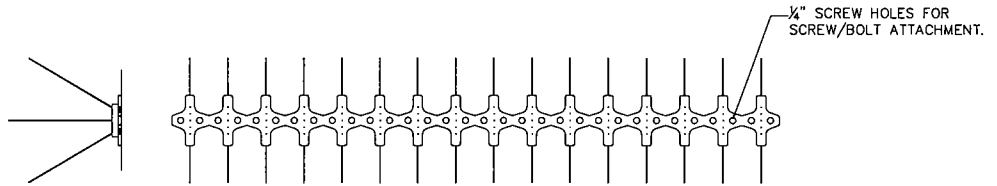
BIRD-B-GONE, INC.

BIRD SPIKE 2001-5"

23918 SKYLINE
MISSION VIEJO, CA 92692
TEL: 800-392-6915 OR 949-472-3122
FAX: 949-472-3116



FRONT VIEW



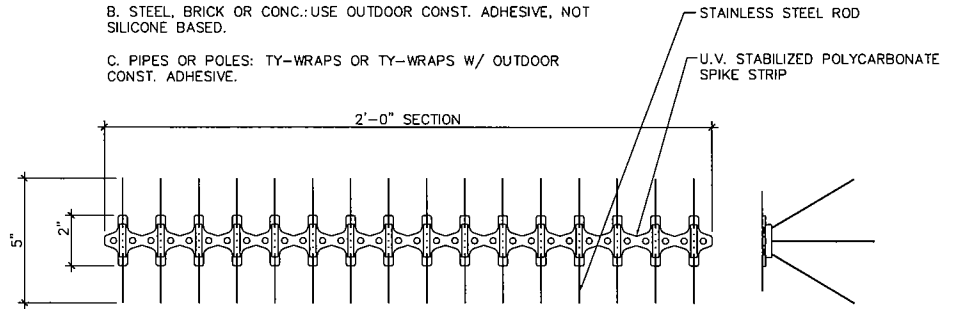
BOTTOM VIEW

NOTE: SPEC. MOUNTING SYSTEM PER PROJECT CONDITIONS:

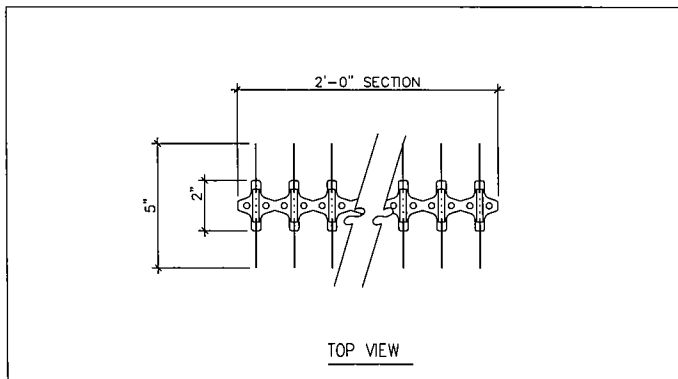
A. WOOD: USE #8 WOOD SCREWS.

B. STEEL, BRICK OR CONC.: USE OUTDOOR CONST. ADHESIVE, NOT SILICONE BASED.

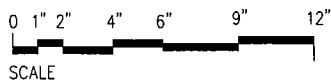
C. PIPES OR POLES: TY-WRAPS OR TY-WRAPS W/ OUTDOOR CONST. ADHESIVE.



TOP VIEW



TOP VIEW



SCALE

BIRD-B-GONE, INC.

BIRD SPIKE 2001-8"

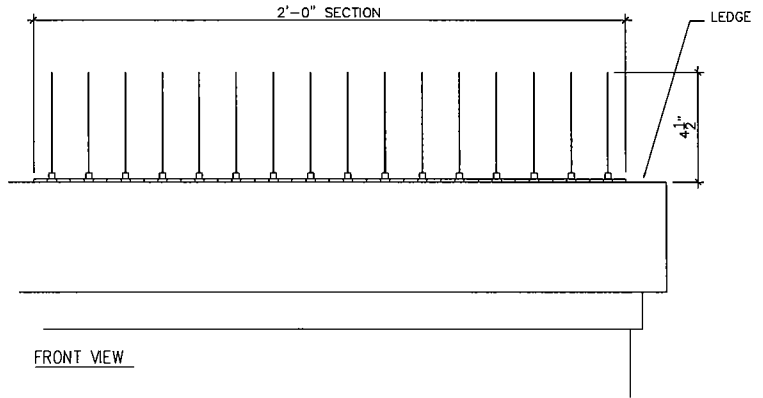
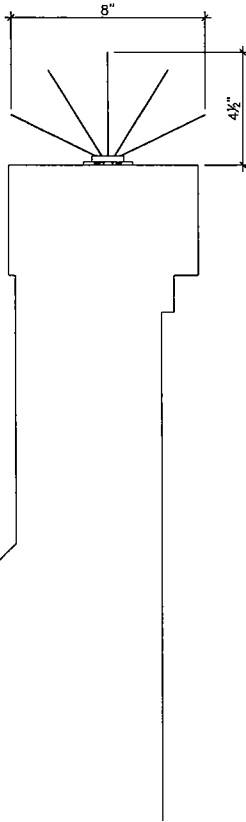
23918 SKYLINE

MISSION VIEJO, CA 92692

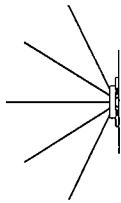
TEL: 800-392-6915 OR 949-472-3122

FAX: 949-472-3116

SIDE VIEW @ LEDGE
OR PARAPET



FRONT VIEW



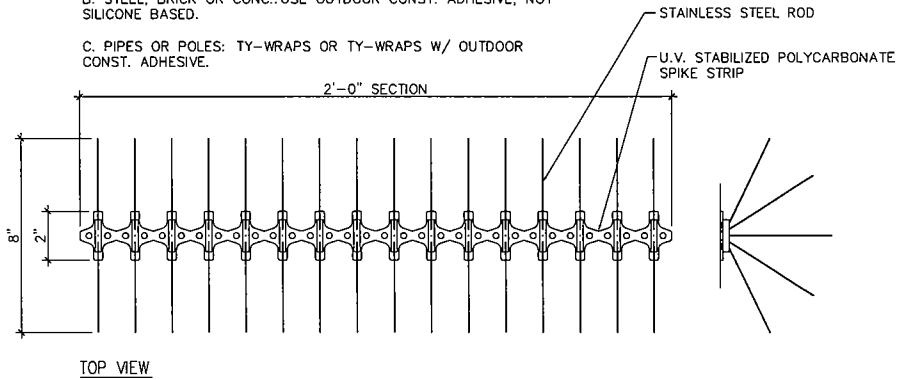
BOTTOM VIEW

NOTE: SPEC. MOUNTING SYSTEM PER PROJECT CONDITIONS:

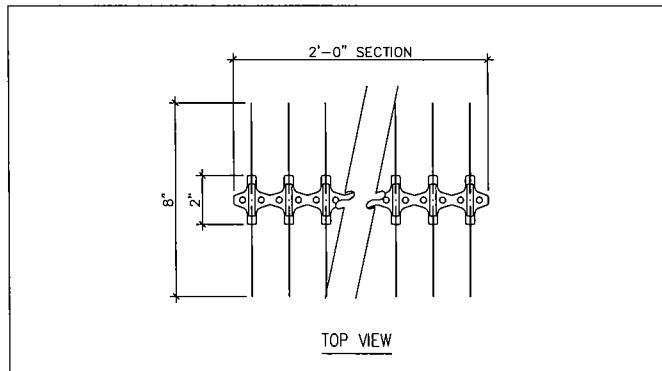
A. WOOD: USE #8 WOOD SCREWS.

B. STEEL, BRICK OR CONC.: USE OUTDOOR CONST. ADHESIVE, NOT SILICONE BASED.

C. PIPES OR POLES: TY-WRAPS OR TY-WRAPS W/ OUTDOOR CONST. ADHESIVE.



TOP VIEW



TOP VIEW

