

SLOAN®

Sloan's Dolphin® Flushometer



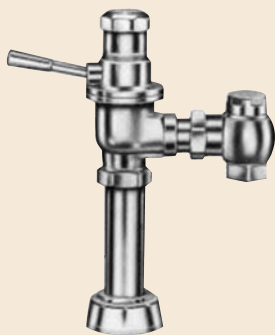
The Dolphin Flushometer... the Solution to Severe Water Problems on Land or Sea

The Sloan Dolphin Flushometer has been engineered to deal with the world's most severe water conditions. Whether for marine use, fresh water, or for very extreme land water conditions, the Sloan Dolphin Flushometer offers a functional design that will keep fixtures and closets flushing in poor or contaminated water conditions.

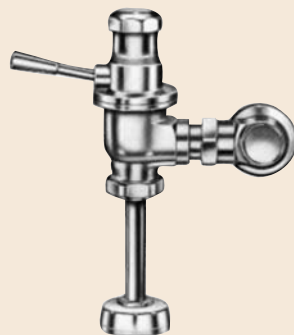
- Will pass water-borne foreign substances that can clog conventional flushometers.
- Uses a control mechanism that functions in oil and is completely isolated from water borne debris – keeping the unit functioning in the most harsh water conditions.
- Will operate with salt water which can rapidly damage traditional flushometers.
- Incorporates corrosive-resistant components, adding further protection and longevity in the severest of conditions.
- Will positively shut off even without water pressure.

DOLPHIN MODELS - MEETING THE DEMANDS OF SEVERE WATER CONDITIONS

DOLPHIN® FLUSHOMETER MODEL INDEX



Dolphin 110 XYV



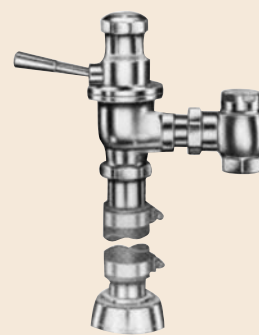
Dolphin 186 XYV

Dolphin® Flushometers

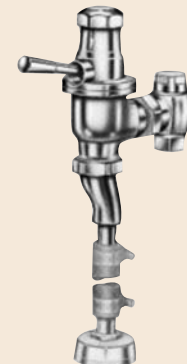
FIXTURE	Closets	Closets	Closets	Urinals
MODEL	110/111	115	120	186
FIXTURE TYPE	Top Spud	Top Spud	Back Spud	Top Spud
SPUD COUPLING	1-1/2"	1-1/2"	1-1/2"	3/4"

For Salt Water Applications, Sloan Valve Company recommends furnishing Dolphin Valves with a Ground Joint Supply Stop. Specify "-GJ" (Ground Joint) Variation.

Salt Water and other non-potable water supplies typically do not require the use of Vacuum Breakers. To furnish the Valves less the Vacuum Breaker specify the "-XYV" (Less Vacuum Breaker) Variation.



**Type I - Class A
B/P RM 19405**



**Type II - Class A
B/P RM 19406**

Dolphin® Flushometers for United States Navy per Specification MIL-V-0015020F (Ships)

FIXTURE	Water Closet	Water Closet	Urinal	Urinal
MODEL	TYPE I CLASS A	TYPE I CLASS B	TYPE II CLASS A	TYPE II CLASS B
FIXTURE TYPE	Shock Proof	Rigid Installation	Shock Proof	Rigid Installation
SPUD COUPLING	1-1/2" scored outlet	1-1/2"	3/4" scored outlet	3/4"

The above Flushometers can be furnished with Sil-braze inlets (1" for TYPE I; 1/2" for TYPE II). Please specify when ordering.

Flush Delivery

Dolphin Flushometers are factory set to deliver the following nominal flushing volumes:

Water Closet:

3.5 gallons (13.2 liters) per flush

Factory set low consumption 1.6 gallon (6.0 liter) flush also available - please specify.

Urinal:

1.0 gallons (5.7 liter) per flush

Dolphin valve flush volumes are adjustable to meet individual application needs

Factory settings made at 40 PSI (275 kPa)

Flush volume will vary with pressure and flow rate

Features That Deliver Assurance

The Dolphin Flushometer is used extensively by the United States Navy for all types of vessels. It is also used in both new construction and retrofit installations where severe water conditions are encountered. It holds the unequalled record of dependable, trouble-free service, making it the perfect choice for ships and any installation where harsh water condition problems are encountered.

- *Isolated control mechanism means long life and dependable performance*
- *Replaceable main seat protects the Dolphin body from irreparable damage caused by wire-drawing*
- *Positive manual opening and mechanical closing assures a positive shut off even if water pressure drops to zero*
- *Handle has no complicated linkage - can be positioned conveniently on the job at left, front or right for installation flexibility*
- *Backed by over 90 years of Sloan Flushometer engineering leadership*
- *Sold by plumbing wholesalers in leading United States ports*

HOW DOLPHIN DELIVERS OUTSTANDING PERFORMANCE

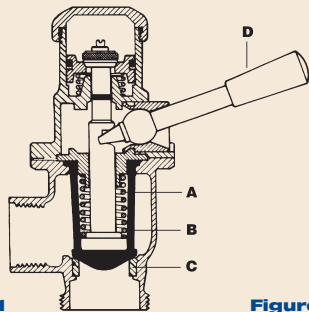


Figure 1

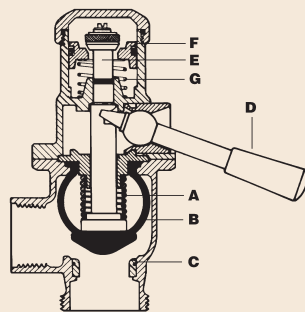


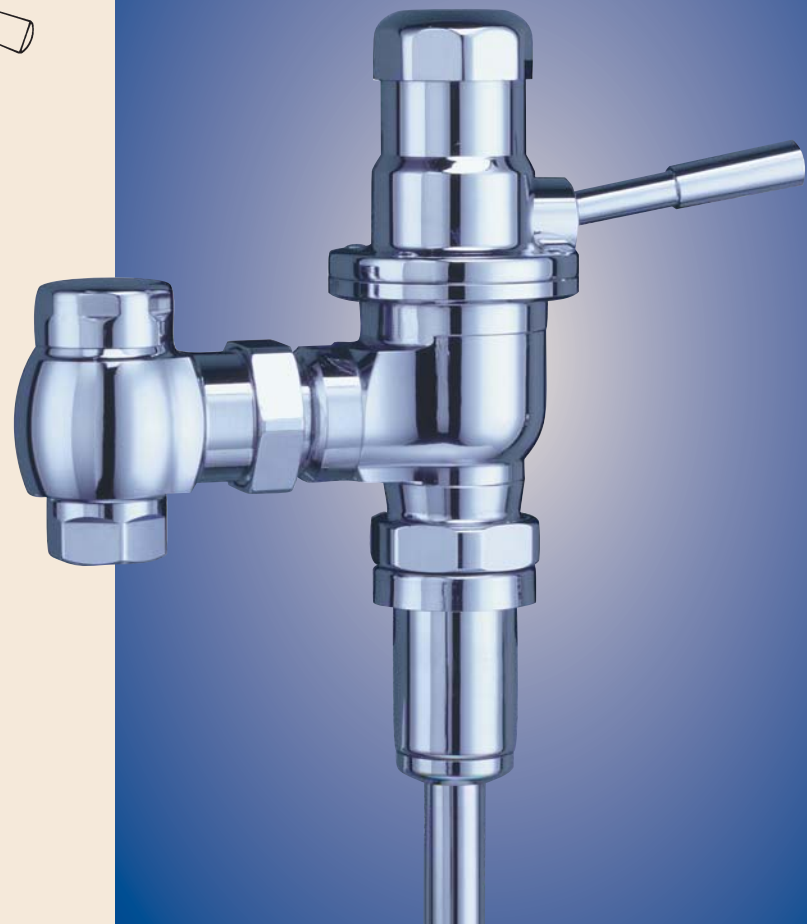
Figure 2

The Dolphin Flushometer has been designed to deliver years of outstanding performance under the most severe water conditions. Here's how it works.

Figure 1 shows the Dolphin in the closed position.

Compression Spring **A** forces a Flex Sac **B** tightly against Valve Seat **C**. When the fixture is flushed, the operating handle **D** is pressed downward (as shown in Figure 2). This action lifts Stem **E**, which moves up from its seat on the Piston **F**. Hydraulic fluid (SAE 10 oil) then flows from above the piston to below the piston. As fluid is displaced from above the piston, a spring **G** moves the piston up until it again seats on the stem. The unit returns to its position as in Figure 1.

The duration (or volume) per flush is controlled by adjusting a Regulating Screw down for longer flush, and up for a shorter flush. The Rate of Flow to suit the fixture is controlled by adjustment of control stop. A clockwise adjustment decreases the flow - a counterclockwise adjustment increases the flow.



Dolphin Flushometers conform with military specification MI-V-0015020F (Ships) for use by the U.S. Navy

Sloan, The Leader in Quality Plumbing Solutions

Sloan offers 90 years of experience in the design, engineering and manufacturing of plumbing products. As a recognized leader in the industry, Sloan is dedicated to providing you with unsurpassed service and quality.

SERVICE.

From our worldwide distribution network, Sloan products are available when you need them. Sloan's Installation Engineering Department is on call to assist you whenever a question or problem arises with any Sloan product application.

QUALITY.

The foundation of Sloan's success is the *Quality* of its products. This *Quality* is integrated into all aspects of Sloan's operations. From design through production, Sloan's dedicated workforce is committed to a spirit of teamwork and cooperation. Your total satisfaction is our goal.

SLOAN PRODUCTS.

In addition to Dolphin® Flushometers, Sloan manufactures a wide variety of plumbing products, including:

- *Royal® Flushometers*
- *Regal® Flushometers*
- *Gem® Flushometers*
- *Naval® Flushometers*
- *Optima® Flushometers and Faucets*
- *Optima Plus® Flushometers and Faucets*
- *Optima® Electronic Scrub and Handwashing Sinks*
- *Act-O-Matic® Shower Heads*
- *Bio-Gard® Handles and Bedpan Washers*
- *Slimline® Bedpan Washing Systems with Bio-Gard®*
- *Optima® Hand Dryers*



Sloan Valve Company
10500 Seymour Avenue
Franklin Park, IL 60131
Phone: 800-9-VALVE-9
(800-982-5839) ext. 5609
Fax: 800-447-8329
www.sloanvalve.com