

Programmed Water Technologies

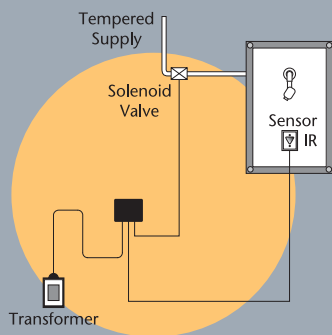
A Sloan Valve Company

Programmed Water Technologies offers a complete line of programmable products and systems designed to give you maximum control of your plumbing fixtures.

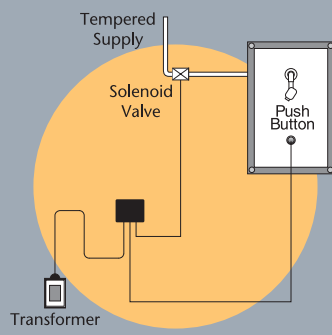
PWT MICROPlumb® Products incorporate advanced microprocessor technology and are designed with few moving parts and no mechanical metering devices – a combination that ensures responsive, reliable plumbing control and substantial water savings.



INFRARED CONTROLLER OPERATION

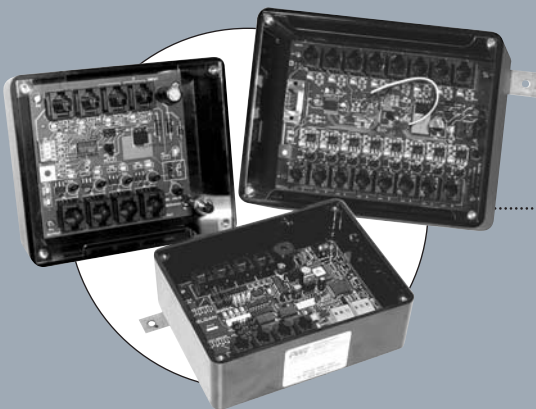


PUSH BUTTON CONTROLLER OPERATION



MICROPlumb Products offer maximum water control in high use/abuse environments. Patented sensing and metering technology enables activation delay and lock-out. Advanced microprocessor electronics eliminate the need for mechanical environments. Maximum system control means

valves cannot remain open due to neglect or vandalism. Controllers operate on low voltage, have few moving parts and no mechanical metering devices. Modular controllers are flexible and can be used on new, retrofit or expansion applications.



CONTROL & FLEXIBILITY

MICROPlumb Products are modular, flexible systems even in the most inflexible environments. In any high-traffic or vandal-prone area – from prisons and government buildings to educational facilities and sports stadiums – PWT offers products and systems that provide plumbing fixture control.

The flexibility of MICROPlumb lies in more than just the variety of PWT products and applications. MICROPlumb systems can be programmed to operate at specified flush intervals that are pre-determined according to the needs of your facility – or can be switched on or off on the fly.

Any type of new or existing facility can benefit from MICROPlumb products and systems. There are more than 5,000 public correctional facilities in the U.S. and over 150 private facilities – existing facilities that could reduce water and energy usage and lower their maintenance costs by retrofitting with PWT Systems.

MICROPlumb Products feature vandal-resistant components, ensuring ongoing operation. RJ-11 modular Quick-Release™ connections reduce installation time and offer flexibility in adapting to changes.

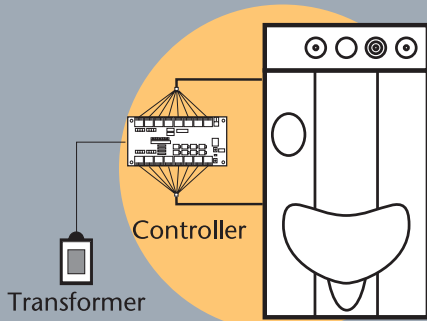
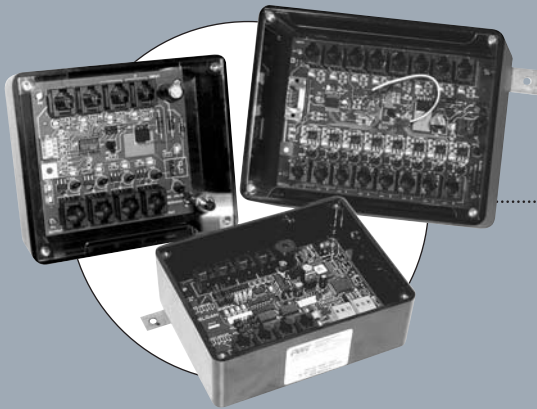
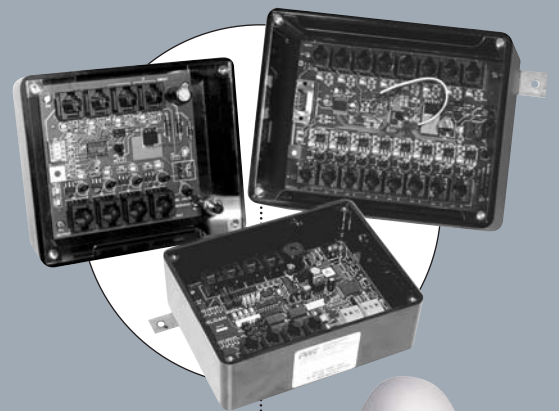
No need for a whole-building system – MICROPlumb Systems are stand-alone, independent of other Building Automated System (BAS).

All PWT MICROPlumb Products and Systems are developed and

supported by Sloan Valve, a company with more than 100 years of experience in the design, engineering and manufacturing of plumbing products.

MICROPlumb Systems can provide your facility with dramatic savings in key areas:

- Water usage
- Water/sewage costs
- Energy needed to heat water
- Maintenance as well as inmate control



Sloan only uses red brass castings to ensure long life.

Features

Control System	Board	Push Button	Solenoid	Showerhead	No Showerhead
Showers	1	•	•	•	•
	1 Infrared		•	•	•
	4 I.O.	•	•	•	•
	8 I.O.	•	•	•	•

Control System	Board	Push Button	Solenoid	Flush Valve Retrofit	Hot/Cold Lavatory Manifold	Retrofit
Water Closets	4 I.O.	•	•	•		•
	8 I.O.	•	•	•		•
Lavatories	4 I.O.	•	•		•	•
	8 I.O.	•	•		•	•
Combination Units	4 I.O.	•	•		•	•
	8 I.O.	•	•		•	•

Programmed Water Technologies – A Sloan Valve Company

Programmed Water Technologies is a Sloan Valve Company. Sloan has more than 100 years of experience in the design, engineering and manufacture of plumbing products. As a recognized leader in the industry, Sloan delivers quality products that meet and exceed requirements.

PWT builds upon Sloan's outstanding reputation by offering the latest advancements in microprocessor control. As a pioneer in electronics and plumbing, Sloan offers the products and service needed to achieve plumbing design objectives.

For more information on Programmed Water Technologies' MICROPlumb Control Systems, call 800-9-VALVE-9.

PWT® and MICROPlumb® are registered trademarks of Sloan Valve Company.



Programmed Water Technologies
A Sloan Valve Company
10500 Seymour Avenue
Franklin Park, IL 60131
Phone: 800-9-VALVE-9 (800-982-5839) ext.5609
Fax: 800-447-8329
www.sloanvalve.com

