

Introducing Sloan's Solar Collection

Combining environmentally sound technologies with leading-edge electronics, the *SOLIS™* is designed to deliver continuous energy and water savings, while reducing operating and maintenance costs.

SOLIS HET

SOLIS HEU

SOLIS FAUCET

Sloan's *SOLIS* solar-powered collection is a breakthrough in design and function that transforms light into power. The *SOLIS* Series of Flushometers and Faucets provides the ultimate in conservation and performance.



Generating Efficiency Through Technology

SLOAN®

800.9.VALVE.9
(800.982.5839)
www.sloanvalve.com

Patent Pending

Sloan SOLIS™ Collection

Solar-Powered Flushometers and Faucets

SOLIS HET FLUSHOMETER

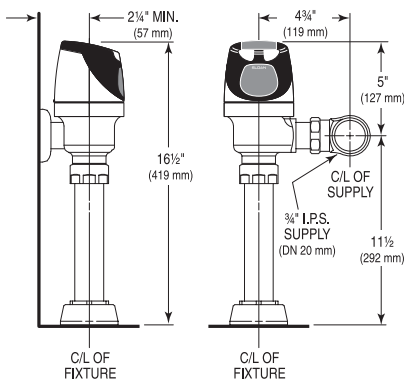


DESCRIPTION

Exposed, Solar-Powered, Sensor-Activated Sloan SOLIS™ Dual-Flush Model Water Closet Flushometer for floor-mounted or wall-hung top spud bowls.

Flush Cycle

- Full flush (Large button)
1.6 gpf/6.0 Lpf
- Reduced flush (Small button)
1.1 gpf/4.2 Lpf



SOLIS HEU FLUSHOMETER

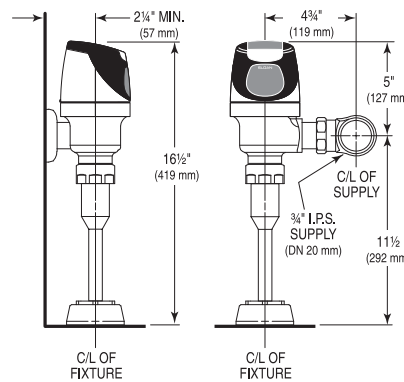


DESCRIPTION

Exposed, Solar-Powered, Sensor-Activated Sloan SOLIS Model Urinal Flushometer for either left or right hand supply.

Flush Cycle

0.5 gpf/1.9 Lpf



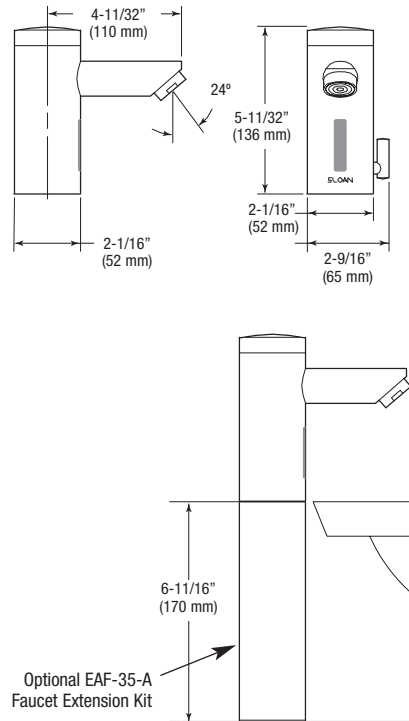
SOLIS FAUCET

DESCRIPTION

Solar-Powered, Sensor-Activated Electronic Hand Washing Faucet for pre-tempered or hot and cold water operation.

Flow Rate

0.5 gpm/1.9 Lpm Aerator Spray Head



Your Partner in Conservation

Sloan is committed to spending the next 100 years of our industry leadership to transform water use in this country and around the world. We begin this effort focused on those same fundamentals that have led Sloan to our first 100 years of success: revolutionary designs, an uncompromising commitment to quality, and a devotion to serving our customers.

Beyond Expectation

All of Sloan's Flushometers are made from a high level of recycled material and are 100% recyclable. This means that after the effective life of the product, often the life of the building itself, Sloan Flushometers can be 100% recycled and turned into new product.



Clean Renewable Resources

Recently, Sloan Valve Company signed a landmark Renewable Energy agreement to offset 100% of the energy used at its Franklin Park, Ill. facility. Sloan has invested in numerous efforts and technologies, which will help to limit our impact on the environment, while keeping competitively priced products in the market.

There are many product choices. The decision should be based not only on the product itself, but the company that produces them. Sloan Valve Company is committed to being the best choice by providing outstanding products and producing them with the smallest possible impact on the environment.



Sloan Valve Company is buying renewable energy certificates to meet 100% of the company's purchased electricity use at its Franklin Park, Illinois facility.

SLOAN®

Sloan Valve Company
10500 Seymour Avenue
Franklin Park, IL 60131
Phone: 800-9-VALVE-9 (800-982-5839)
Fax: 800-447-8329
www.sloanvalve.com



Printed using soy based inks

© 2008 Sloan Valve Company
Printed in U.S.A.

SLV6823.2 0408