

The Perfect Package



HEU
HIGH-EFFICIENCY URINAL

Sloan High Efficiency Urinal Systems (utilizing only 1 pint of water)

Contributes to LEED® Points: Credit 3.1, 3.2

Model WEUS 1000.1401

Reduces Water Usage 88%!

High Performance, Low Maintenance Sloan HEU Systems Deliver with Just a Pint of Water!

Sloan introduces the next generation of water-efficient products designed for reducing water usage even further. Sloan HEU Systems combine the performance of both fixture and flush valve to ensure a *true, water-efficient system.*

Sloan 0.125 gpf HEU Urinal System Performance (utilizing only 1 pint of water)

	SLOAN 0.125 gpf HEU Urinal System	Typical EPAct Urinal
If daily uses on a fixture are:	100	100
Then total uses in a year will be:	36,500	36,500
The gallons of water that will be used will be:	4,563	36,500
The savings that will result will be:	88%	0%

Annual water savings: 31,937 gallons

SLOAN®

For more information on any Sloan product, contact:

Sloan Valve Company
10500 Seymour Avenue
Franklin Park, IL 60131

Phone: 800-9-VALVE-9
(982-5839)

Fax: 800-447-8329
www.waterefficiency.com

Patent Pending

Freedom of Choice to Suit Your Building's Needs

Manual Operated

Model WEUS 1000.1001



Hands-Free Hardwired Sensor-Operated

Model WEUS 1000.1302



Model WEUS 1000.1301



Hands-Free Battery-Powered Sensor-Operated

Model WEUS 1000.1403



Model WEUS 1000.1402





Sloan HEU Systems

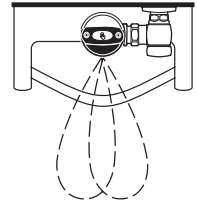
- Half-Stall, Wall-Mount, High-Efficiency, Wash Down Urinal
- Integral Trap
- Includes call hangers, inlet spud, outlet flange and rubber gasket
- ADA Compliant

Colors: White

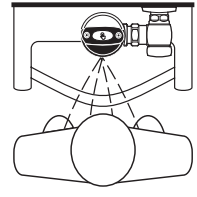
Flushometer Valve: Depending on the model selected, a Sloan High Efficiency manual or electronic 1/8 gpf (0.5 Lpf) flushometer will be supplied.

OPERATION

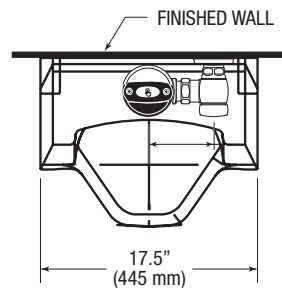
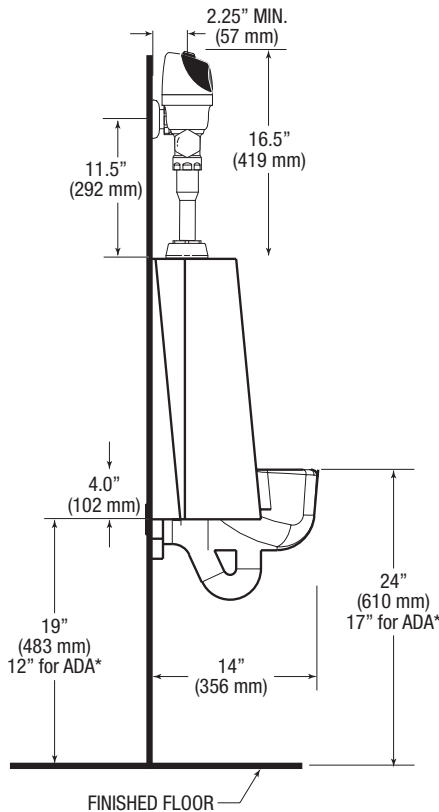
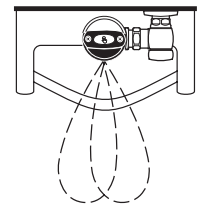
1. A continuous, invisible light beam is emitted from the Sloan Sensor.



2. As the user enters the beam's effective range (15" to 30") the beam is reflected into the Sloan Sensor Scanner Window and transformed into a low voltage electrical circuit. Once activated, the Output Circuit continues in a "hold" mode for as long as the user remains within the effective range of the Sensor.



3. When the user steps away from the Sloan Sensor, the Sensor initiates an electrical signal that operates the Solenoid. This initiates the flushing cycle to flush the fixture. The Circuit then automatically resets and is ready for the next user.



*ADA approved installation of a 17" lip height requires a 12" drain height.

Your Partner in Conservation

Sloan is committed to spending the next 100 years of our industry leadership to transform water use in this country and around the world. We begin this effort focused on those same fundamentals that have led Sloan to our first 100 years of success: revolutionary designs, an uncompromising commitment to quality, and a devotion to serving our customers.

Beyond Expectation

All of Sloan's Flushometers are made from a high level of recycled material and are 100% recyclable. This means that after the effective life of the product, often the life of the building itself, Sloan Flushometers can be 100% recycled and turned into new product.



Clean Renewable Resources

Recently, Sloan Valve Company signed a landmark Renewable Energy agreement to offset 100% of the energy used at its Franklin Park, Ill. facility. Sloan has invested in numerous efforts and technologies, which will help to limit our impact on the environment, while keeping competitively priced products in the market.

There are many product choices. The decision should be based not only on the product itself, but the company that produces them. Sloan Valve Company is committed to being the best choice by providing outstanding products and producing them with the smallest possible impact on the environment.



Sloan Valve Company is buying renewable energy certificates to meet 100% of the company's purchased electricity use at its Franklin Park, Illinois facility.



Sloan Valve Company
10500 Seymour Avenue
Franklin Park, IL 60131
Phone: 800-9-VALVE-9 (982-5839)
Fax: 800-447-8329
www.sloanvalve.com



Printed using soy based inks

© 2008 Sloan Valve Company
Printed in U.S.A.
SLV6824.3 0408