

# TAP-200 Multipurpose Portal

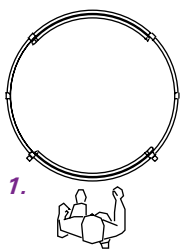


## Maximize your security solution

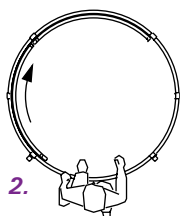
Boon Edam's anti-piggybacking interlocking door systems utilize quality design, superior construction and state-of-the-art technology to ensure the highest level of security by preventing piggybacking.

Boon Edam's secure entry portals are fully programmable and can incorporate metal detection, bullet resistant glass and either uni-directional or bi-directional electrical controls.

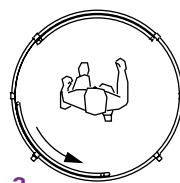
The security portals can be integrated with any type of access control system and provide uncompromising security for entrance installations.



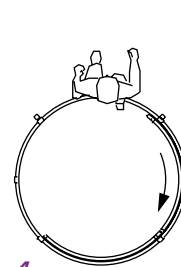
1.



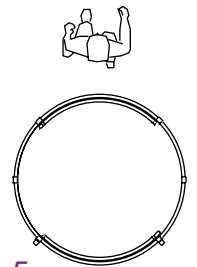
2.



3.



4.



5.



Your **Security.** Our **Solution.**

Security Access

# Construction

- Prevents piggybacking
- Large 54 ½" exterior diameter cylindrical portal
- Wheelchair accessible
- Integrates with any access control system
- Optional bullet resistant glass
- Optional metal detection

# Features & options

Characteristics	Std	Opt
Anti-Piggybacking and Anti-Tailgating	•	
Handicap Accessible	•	
Remote Control Panel	•	
Battery Backup (2 hours)	•	
Access Control Housing, Horizontal or Vertical		•
Interior Call Button/Intercom	•	
Interior Emergency Lever	•	
Exterior Emergency Lever		•
Metal Detection		•
Two-Zone Presence Mat	•	
Floor Installation Kits		•
Surface Mount Track System		•
Stainless Steel Construction (Clad)		•
Stainless Steel Top Cover		•
Locked Top Cover	•	
Bi-Parting Doors		•

### Glass Options

Standard/Impact Safety Glass	11 mm (0.433")
Vandal Resistant Glass	14 mm (0.55")
Bullet Resistant, BR3-UNI EN 1063 <sup>1</sup>	27 mm (1.06")
Bullet Resistant, BR4-UNI EN 1063 <sup>2</sup>	33 mm (1.30")

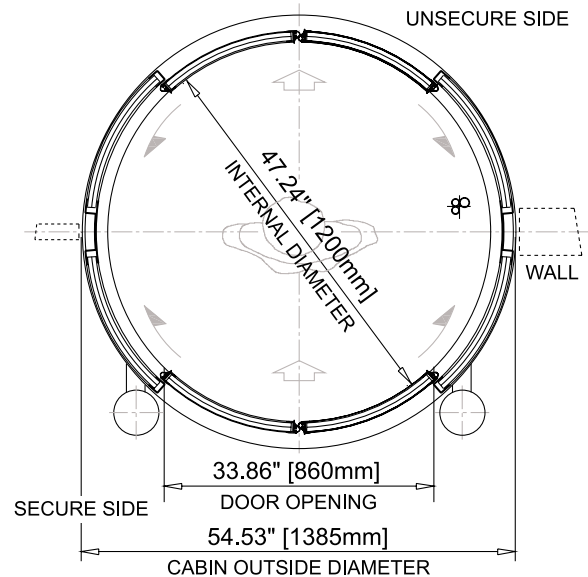
<sup>1</sup> - Comparable to UL Level 2  
<sup>2</sup> - Comparable to UL Level 3

# Dimensions

## NOMINAL DIMENSIONS

Exterior		Interior		Cabin Entrance
Width	Height	Width	Height	Width
54.53" (1385mm)	92.91" * (2360mm)	47.24" (1200mm)	79.92" (2030mm)	33.86" (860mm)

\*Recessed floor installations have an exterior height of 91.54" (2325mm).



# Technical characteristics

## POWER

Power Requirements – 110V AC, 60Hz  
 Power Supply – 24V DC with two backup batteries  
 Battery Operation – 2 hours continuous duty  
 Motors – Two 24V DC

## SINGLE SLIDING DOOR THROUGHPUT

Vandal Resistant Glass – 5 people per minute  
 Bullet Resistant Glass – 4 people per minute

## BI-PARTING DOOR THROUGHPUT

Vandal Resistant Glass – 8 people per minute  
 Bullet Resistant Glass – 4 people per minute

