

Act-O-Matic® Shower Head

AC-450



► Description

Act-O-Matic®, Chrome Plated, Self-Cleaning, Institutional Style Shower Head.

► Flow Rate

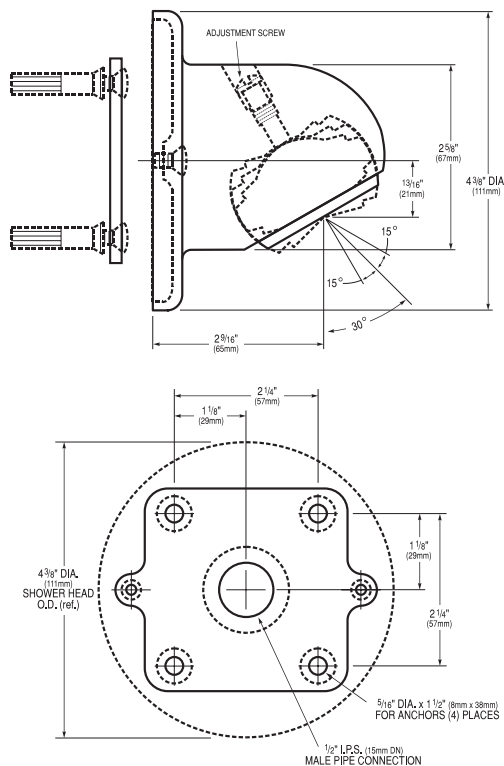
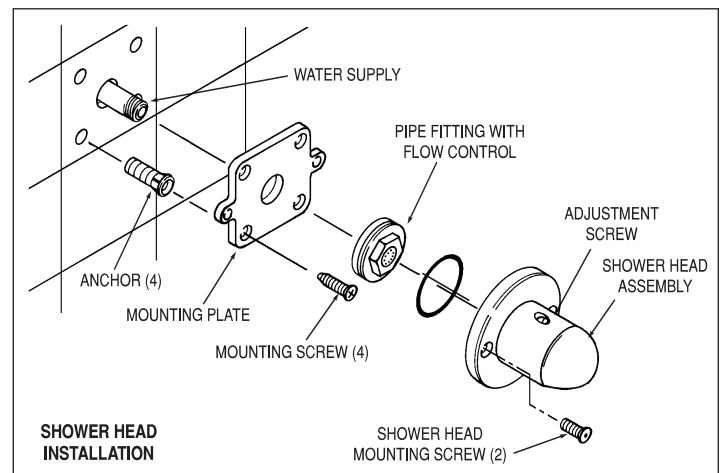
2.5 gpm/9.4 Lpm maximum

► Specifications

Act-O-Matic, Chrome Plated Shower Head with the following features:

- Spring loaded, Self-Cleaning Spray Disk to prevent particle clogging
- “Cone-within-a-cone” Spray Pattern for total body coverage
- Adjustable Spray Angle
- Pressure Compensating 2.5 gpm/9.4 Lpm Flow Control
- All Brass Construction
- Mounting Plate with Vandal-Resistant Mounting Screws
- 1/2" I.P.S. Inlet

Shower Head shall be in conformance to all requirements of ANSI/ASME Standard A112.18.1M, CSA B-125 and the United States Federal Energy Policy Act.



See Accessories Section of the Sloan catalog for details on these and other Shower Head variations.



This space for Architect/Engineer approval

The information contained in this document is subject to change without notice.



10500 Seymour Avenue • Franklin Park, Illinois 60131-1259
Phone 800-671-6970 • Fax 847-671-6944