

**MICROPlumb®  
PRODUCTS  
Lavatory/Shower  
Solenoid**

**MCR  
139-A**



► **Description**

Electronically operated solenoid w/integral filter used to supply hot or cold water to lavatories or pre-mixed water to a shower. For use with any MICROPlumb® controller.

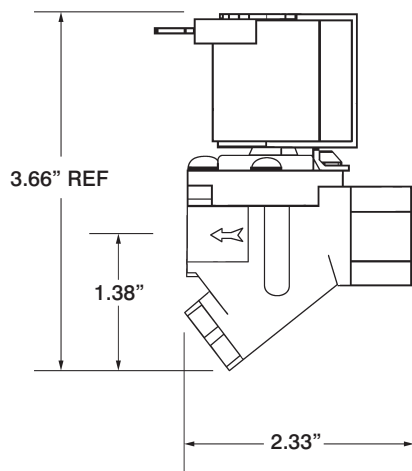
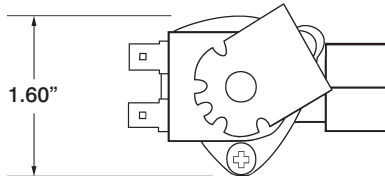
► **Specifications**

- 24 VAC – 50/60 Hz Operating Voltage
- Current: In Rush 12 VA (500 mA)  
Holding 4.63 VA (193 mA)
- Power Consumption: 7 WATTS
- 160°F maximum water temperature
- Brass body w/integral 'Y' strainer (80 mesh)
- .375-18 NPTF Thread at inlet and outlet
- Stainless steel valve seat
- Includes 15' cable w/ 6 position, 4 pin RJ-11 connector

► **Accessories**

- MCR 29-A            3/8 NPTM to 3/8 O.D. tube adapter kit
- MCR 86-200        200' 3/8 O.D. nylon tubing
- ETF 1003-240      20' Single Wire Extension Cord Kit

NOTE: Solenoid cable length can be increased to a maximum overall length of 200 feet.



This space for Architect/Engineer approval

The information contained in this document is subject to change without notice.



10500 Seymour Avenue • Franklin Park, Illinois 60131-1259  
Phone 800-671-6970 • Fax 847-671-6944