

MICROPlumb® PRODUCTS Solenoid Kit

MCR 208-A

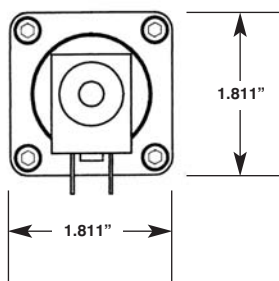
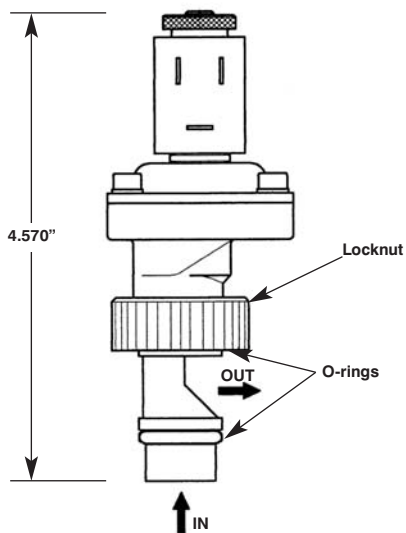


► **Description**
24 VAC retrofit solenoid kit. Installs on most Acorn, Bradley, Metcraft and Willoughby mechanical lavatory valves. Used in conjunction with MICROPlumb® control modules to provide accurate control of lavatory or shower run times.

- **Specifications**
- 24 VAC – 60 Hz operating voltage
 - Current In Rush: 13 VA
Holding: 9 VA
 - 160°F maximum water temperature
 - Pilot operated
 - Integrated Screen Filter
 - Dual O-Rings
 - Includes 15' cord w/6 position, 4 pin RJ-11 connection
 - Knurled Locknut w/1.125" – 18 UNEF-2B thread

- **Accessories**
- ETF 1003-240 20' Extension Cord Kit

NOTE: Solenoid cable length can be increased to a maximum overall length of 200 feet using MICROPlumb® extension cords.



This space for Architect/Engineer approval

The information contained in this document is subject to change without notice.



10500 Seymour Avenue • Franklin Park, Illinois 60131-1259
Phone 800-671-6970 • Fax 847-671-6944