

**MICROPlumb®
PRODUCTS
Retrofit
Flushometer
Assemblies**

**MCR 271
3.5-MOD64**



► **Description**

Concealed electronic-operated water closet Flushometer for retrofit of manual, handle-operated Flushometer.

► **Model Number/Flush Cycle**

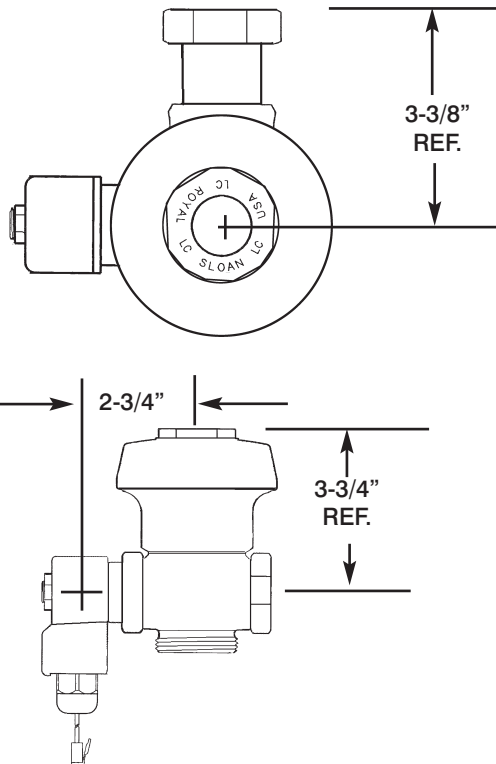
Model MCR 271-MOD64 Water Saver (3.5 gpf/13.2 Lpf)

► **Specifications**

- Concealed electronic operated, diaphragm type, rough brass closet Flushometer
- 24 VAC 50/60 Hz non-hold-open integral solenoid operator
- No external volume adjustment to ensure water conservation
- 15' cord w/RJ-11 connection
- Solenoid operator is reversible (can be located right or left of water supply)
- Dual filtered Permex® bypass diaphragm
- V-651-A Vacuum Breaker repair kit
- S-21 Gasket

► **Variations**

- AG** Ground Joint Connection
- LH** Left Hand
- RH** Right Hand



This space for Architect/Engineer approval

The information contained in this document is subject to change without notice.

