

MODELS:

E2DS, E2JS, E2KS, E4DS, E4JS, E4KS, E4DP, E4JP, E4KP, E6DP, E6JP, E6KP, E4WH, E6WH

General Notes

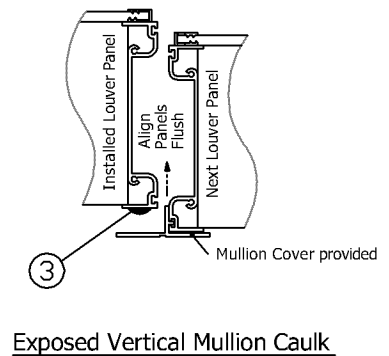
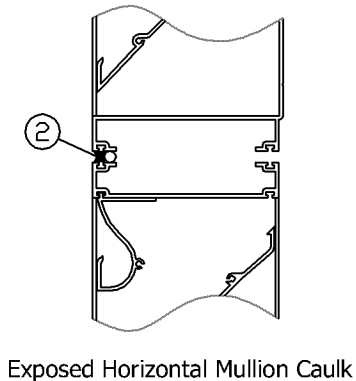
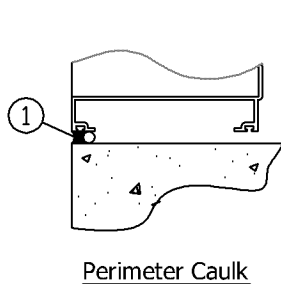
1. Maximum size is unlimited. However, louvers larger than the maximum single section size require field assembly from smaller louver sections to make the overall louver size. * Louvers other than mill finish may required smaller single section sizes than typical.
2. Louvers are designed for 30 lbs per square foot wind loading. However, louver frames, hidden mullions, and all section joints require bracing or support from the building structure to provide the overall structural integrity.
3. Some structural members, mounting angles, clips, fasteners, and installation hardware must be supplied by the installing contractor. The details shown herewithin are recommendations only. Additional information on louver installation may be found in AMCA Publication #501 - Louver Application Manual.

General Installation Requirements

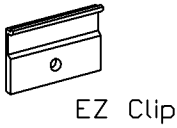
1. For perimeter mounting instructions, refer to page 2.
2. For multiple panel units, determine panel arrangement from the panel layouts on page 3. Using the appropriate panel arrangement, refer to the mullion details on pages 4-8 for additional installation requirements.

Caulking Requirements

1. Caulk the entire perimeter: Install backer rod and apply caulk between the opening and the louver panels.
2. Caulk at all exposed horizontal mullions: Install backer rod and apply caulk between the louver panels.
3. Caulk at all exposed vertical mullions: Apply a bead of caulk at the face of the jamb, so that the entire height of the mullion cover and the adjoining panel are sealed after assembly.



Perimeter Mounting



Clip Attachment to Louver

1. Insert EZ mounting clip (provided) into the rear slot of the louver frame at approximately a 45 degree angle. A small amount of construction adhesive may be applied to the connection prior to insertion of the clip to prevent movement during louver installation. Refer to the clip/fastener chart below for the proper quantity and spacing of angle clips.

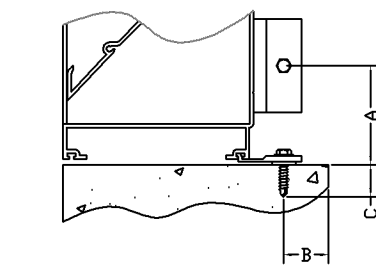
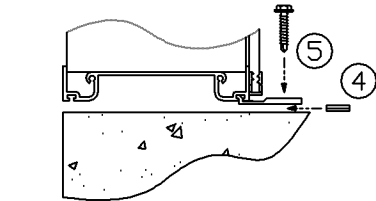
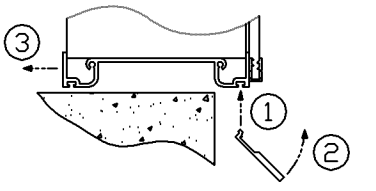
2. Rotate the clip toward the rear of the louver to lock it into the slot.

Louver Attachment to Opening

3. Slide the louver into the opening to the desired depth.

4. Use metal shims or spacer washers (not provided) as necessary to maintain proper clip-to-louver interlock.

5. Attach clip to the opening using the proper fastener (not provided). Refer to the clip/fastener chart below for the recommended fastener type and details.



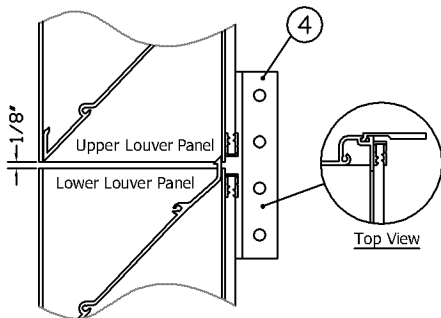
Clip/Fastener Chart (Fasteners are recommendations only. Alternative fasteners may be acceptable.)					
Substrate Type	Fastener Type	Max Clip/Fastener Spacing	Min Distance From Corner (A)	Min Distance From Opening Edge (B)	Min Embedment (C)
Wood	#10 s.s. screw	18"	4"	3/4"	1-3/8"
	#14 s.s. screw	18"	4"	3/4"	1-3/4"
Steel	#10-24 self drill screw	18"	4"	3/4"	full
	1/4" bolt	18"	4"	3/4"	full
CMU	1/4" concrete screw	18"	4"	1-3/4"	2-1/3"
	1/2" sleeve anchor	18"	4"	3/4"	3"

Vertical Alignment Clip (at Jambs)

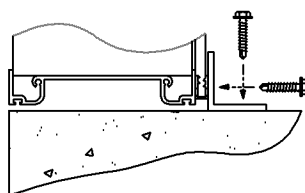
1. Install louver panels starting with the bottom row and continuing upward.

2. To use optional panel alignment method (hidden mullion only), install 4" long EZ clip (refer to page 2) in lower louver panel before installing into the opening.

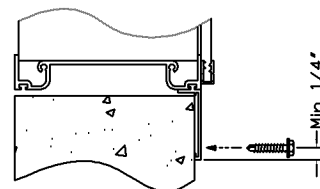
3. Install the lower louver panel. Leave the 4" long EZ clip loose (not fastened to the opening). Begin installing the upper louver panel. Slide the EZ clip upward (into the mating slot in the upper louver panel) to align the jambs. Fasten this EZ clip to the opening. Continue mounting the upper louver panel. Leave 1/8" gap between the lower and upper louver panel for thermal expansion.



Alternate Mounting Methods (Clips and Fasteners Not Provided)



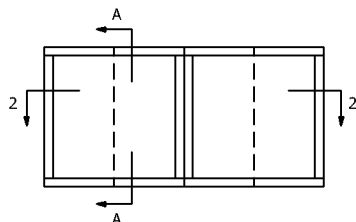
Angle for Recessed at Rear Installation



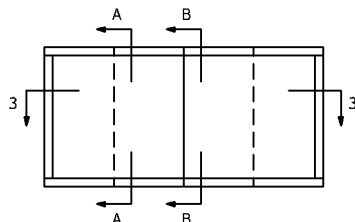
Rear Flange for Flush at Rear Installation

Panel Layouts

Multiple Wide
x
Single High

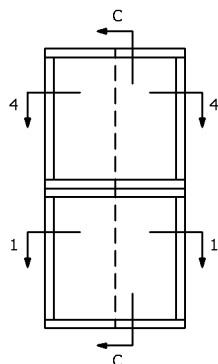


Exposed Mullion Wide

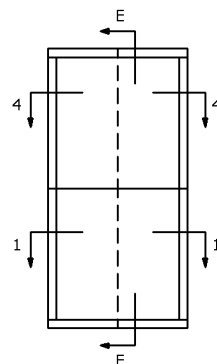


Hidden Mullion Wide

Single Wide
x
Multiple High

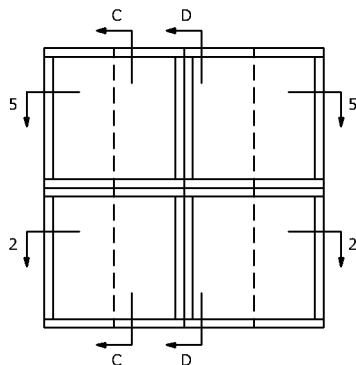


Exposed Mullion High

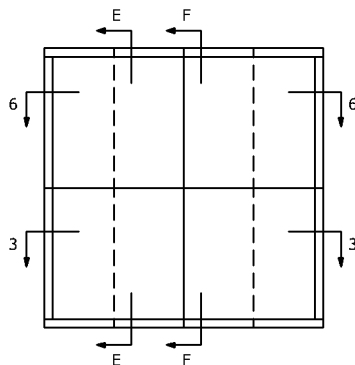


Hidden Mullion High

Multiple Wide
x
Multiple High

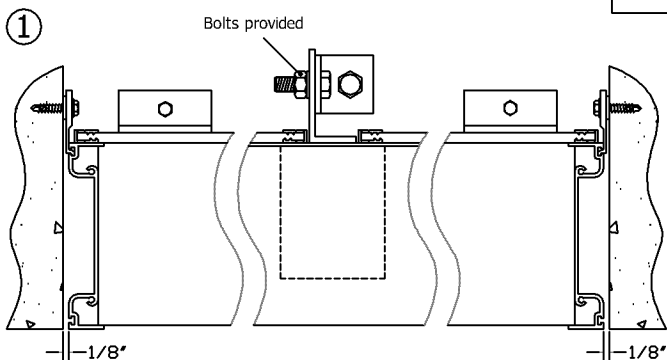


Exposed Mullion Wide x
Exposed Mullion High



Hidden Mullion Wide x
Hidden Mullion High

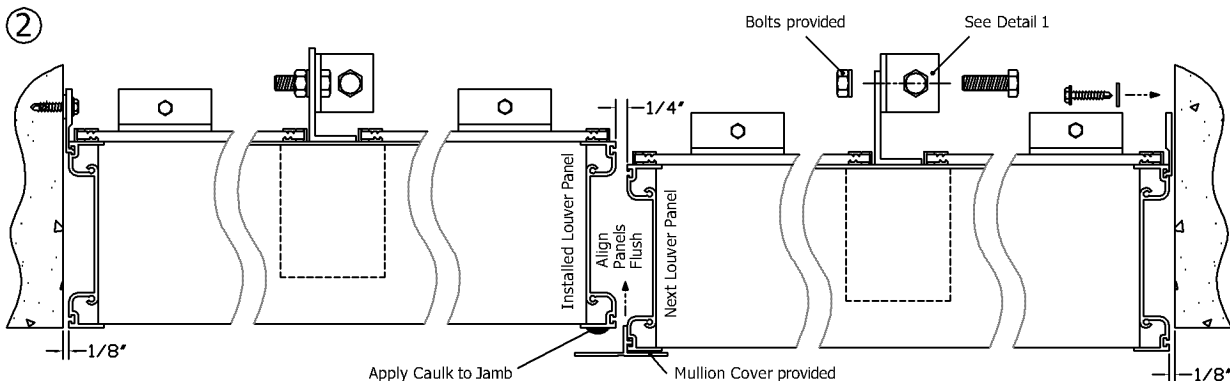
Mounting Details



Intermediate Blade Support

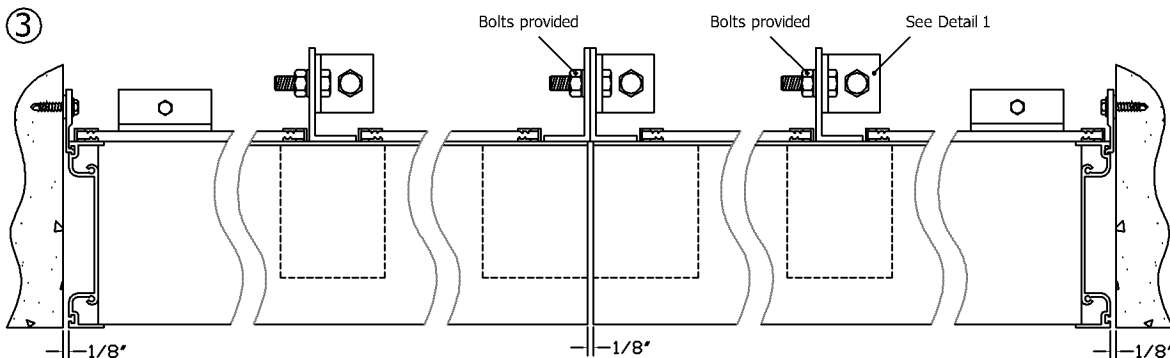
1. If an intermediate blade support angle is provided with the louver, attach 1-1/4 x 1-1/4 x 1-1/4 clip (provided) to intermediate blade support angle at the top and bottom using 5/16-18 bolts (provided) in the proper location for attachment to opening.

2. Use recommended fastener (not provided) to attach the clips to the opening.



Exposed Vertical Mullion: Multiple Panel Wide

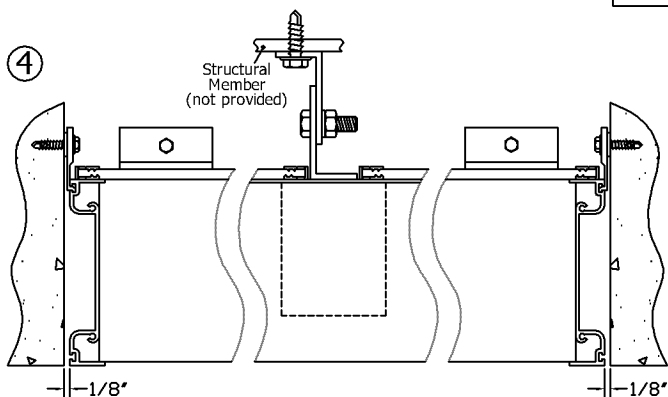
1. Install louver panels from left to right (as viewed from the exterior).
2. After the first louver panel is installed, apply a continuous bead of caulk to the exterior face of the jamb - only at the location where the next louver panel will be installed.
3. Overlap the vertical mullion cover (already attached to the next louver panel) so that it interfaces the caulking and aligns with the adjacent louver panel. Leave a 1/4" gap between louver panels and install panels flush at the front and rear.
4. Continue installing louver panels using the same procedure.



Hidden Vertical Mullion: Multiple Panel Wide

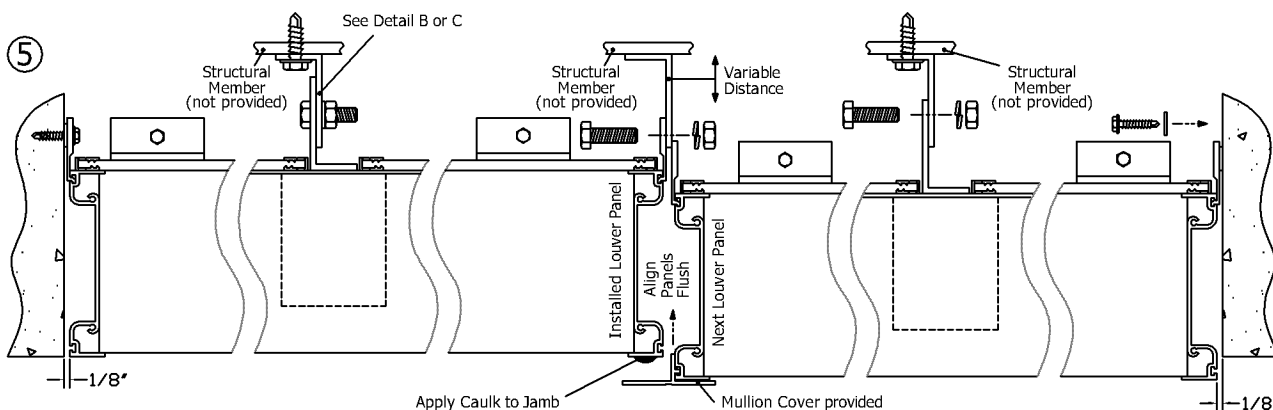
1. Install louver panels from either the left or right direction.
2. Attach adjacent louver panels through the rear framing angle of the louver using a 5/16-18 bolt (provided).
3. Leave a 1/8" gap at the top and bottom of the louver for expansion and caulking. Attach the framing angles to the opening using the 1-1/4" x 1-1/4" - 1-1/4" clip (provided) at the top and bottom and 5/16-18 bolts (provided) in the proper location for attachment to the opening. Use recommended fastener (not provided) to attach the clips to the opening.

Mounting Details



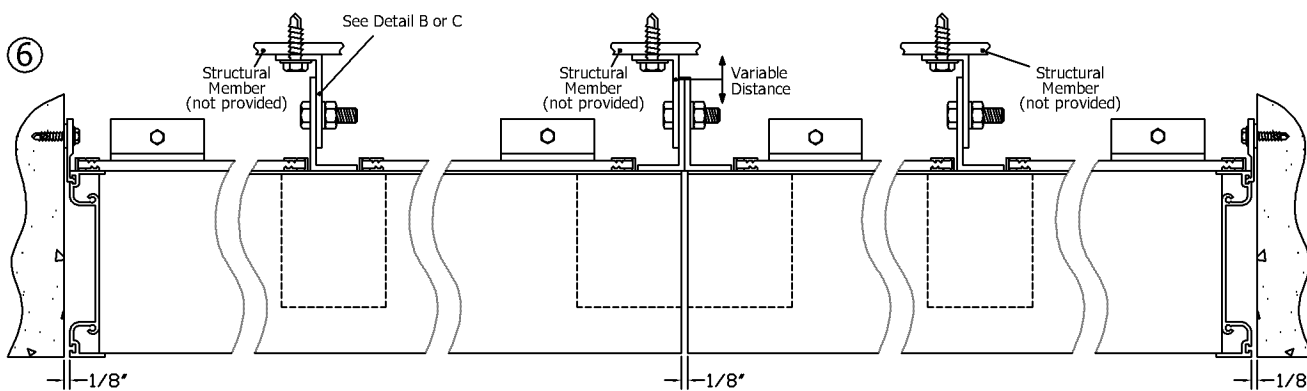
Intermediate Blade Support: Multiple Panel High

1. If an intermediate blade support angle is provided at the rear of the louver, attach 1" x 2" x 4" splice angle (provided) to the intermediate blade support angle so that it overlaps both panels. Use the 5/16-18 bolts (provided) to attach the splice angle to the intermediate blade supports.
2. Use fastener (not provided) to attach splice angle to structural member (not provided).



Exposed Vertical Mullion: Multiple Panel Wide x Multiple Panel High

1. Install EZ clip (reference page 2). * See alternate mounting on page 2 if not using EZ clip.
2. Install 1" x 2" clip angles between EZ clip using 5/16-18 bolts (provided) in proper location for attachment to structural member (not provided).
3. Use fastener (not provided) to attach 1" x 2" clip angles to structural member (not provided).

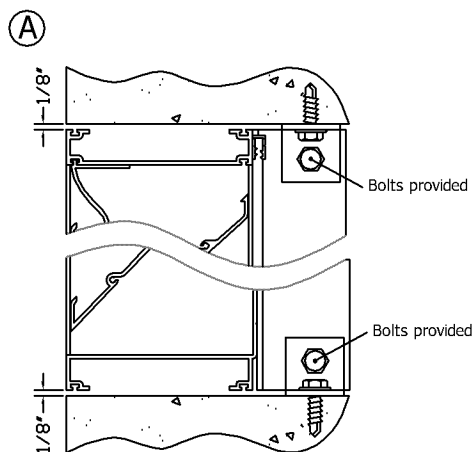


Hidden Vertical Mullion: Multiple Panel Wide x Multiple Panel High

1. Attach the adjacent louver panels and the 1" x 2" clip angles (provided) through the 1" x 2" framing angles on the rear of the louver using 5/16-18 bolts (provided) in the proper location for attachment to structural member (not provided).
2. Use fastener (not provided) to attach 1" x 2" clip angles to structural member (not provided).

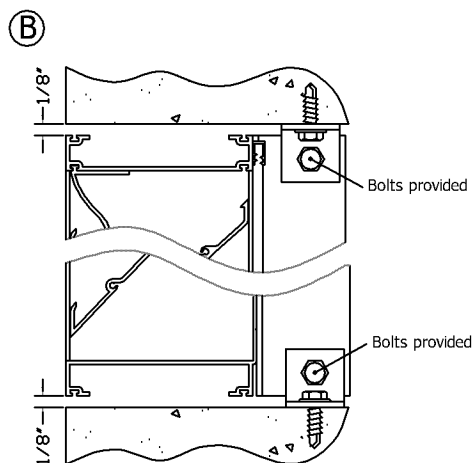
Mounting Details

Single Panel High



Intermediate Blade Support

1. If an intermediate blade support angle is provided with the louver, attach 1-1/4 x 1-1/4 x 1-1/4 clip (provided) to intermediate blade support angle at the top and bottom using 5/16-18 bolts (provided) in the proper location for attachment to opening.
2. Use recommended fastener (not provided) to attach the clips to the opening.

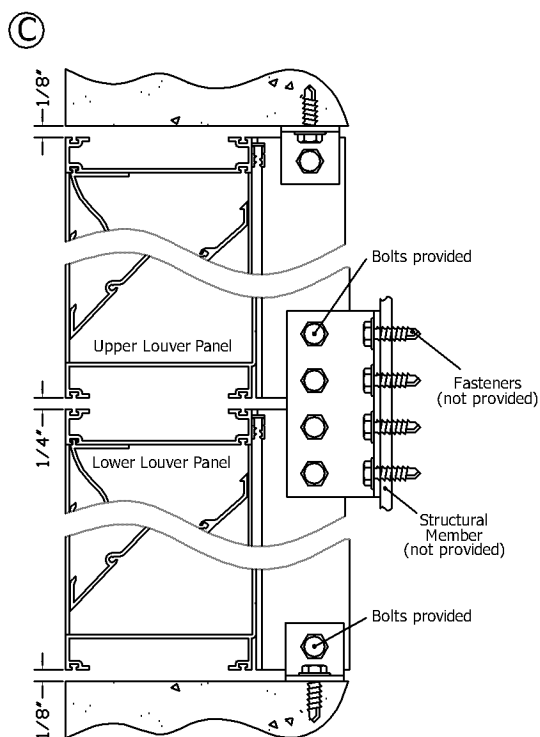


Hidden Vertical Mullion

1. Install louver panels from either the left or right direction.
2. Attach adjacent louver panels through the rear framing angle of the louver using a 5/16-18 bolt (provided).
3. Leave a 1/8" gap at the top and bottom of the louver for expansion and caulking. Attach the framing angles to the opening using the 1-1/4" x 1-1/4" - 1-1/4" clip (provided) at the top and bottom and 5/16-18 bolts (provided) in the proper location for attachment to the opening. Use recommended fastener (not provided) to attach the clips to the opening.

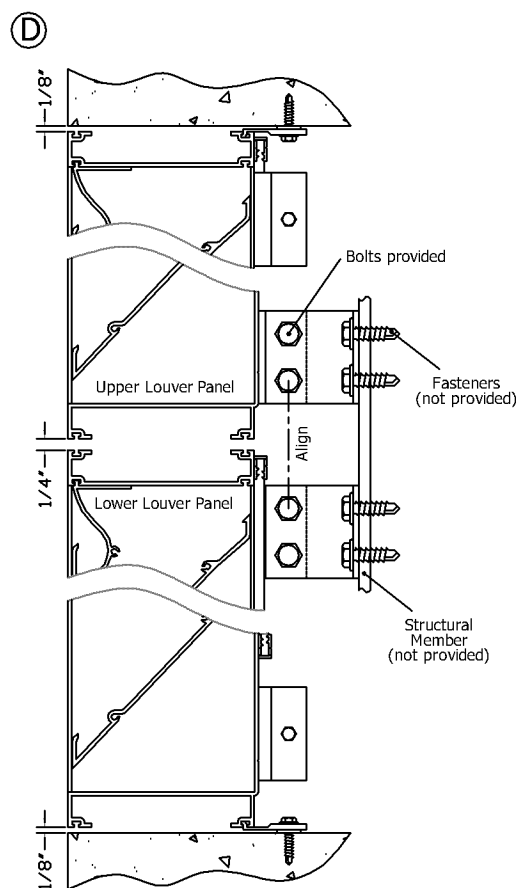
Mounting Details

Multiple Panel High Exposed Mullion



Intermediate Blade Support

1. If an intermediate blade support angle is provided at the rear of the louver, attach 1" x 2" x 4" splice angle (provided) to the intermediate blade support angle so that it overlaps both panels. Use the 5/16-18 bolts (provided) to attach the splice angle to the intermediate blade supports.
2. Use fasteners (not provided) to attach splice angle to structural member (not provided).

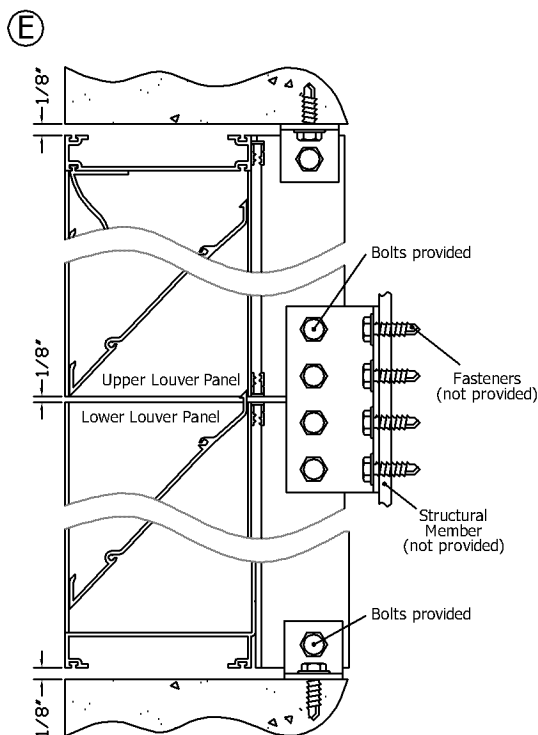


Exposed Vertical Mullion

1. Install EZ clip (reference page 2).
* See alternate mounting on page 2 if not using EZ clip.
2. Install 1" x 2" clip angles between EZ clip using 5/16-18 bolts (provided) in proper location for attachment to structural member (not provided).
3. Use fasteners (not provided) to attach 1" x 2" clip angles to structural member (not provided).

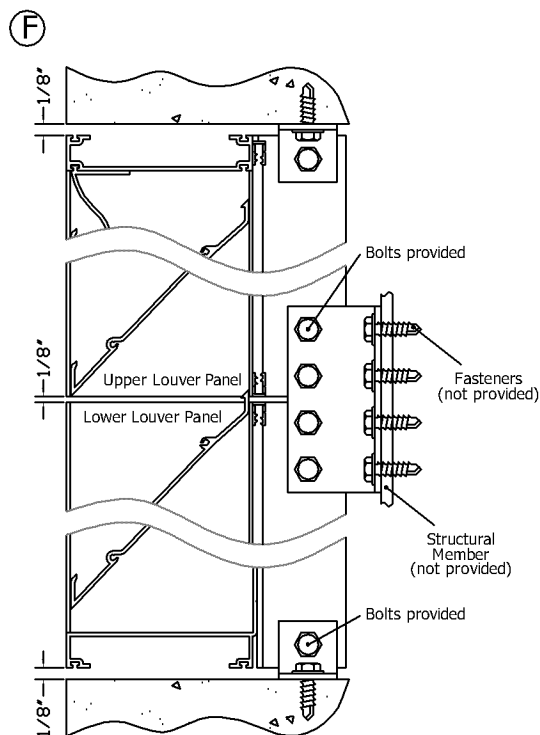
Mounting Details

Multiple Panel High Hidden Mullion



Intermediate Blade Support

1. If an intermediate blade support angle is provided at the rear of the louver, attach 1" x 2" x 4" splice angle (provided) to the intermediate blade support angle so that it overlaps both panels. Use the 5/16-18 bolts (provided) to attach the splice angle to the intermediate blade supports.
2. Use fasteners (not provided) to attach the splice angle to structural member (not provided).



Hidden Vertical Mullion

1. Attach the adjacent louver panels and the 1" x 2" clip angles (provided) through the 1" x 2" framing angles on the rear of the louver using 5/16-18 bolts (provided) in the proper location for attachment to structural member (not provided).
2. Use fasteners (not provided) to attach 1" x 2" clip angles to structural member (not provided).