

## MODELS:

H6Axx, H6JPx, H6JNx, H6TSx

## General Notes

1. Finishes applied to sunshade louvers and components are typically high grade paint or anodizing. To avoid marring and unsightly blemishes, wear clean gloves or clean hands regularly during installation. Clean any stains and finger prints with mild soap and water only. Do not use detergents or industrial cleaners.
2. These instructions are for horizontal cantilever mounting only. For surface mounting in a vertical orientation, see supplemental instructions SL-2.
3. Maximum size is unlimited. However, sunshade louvers larger than the maximum single section size require field assembly from smaller louver sections to make the overall size.
4. Louvers are designed for 30 lbs per square foot wind loading. However, outriggers and louver frames require support from the building structure to provide the overall structural integrity. In some cases, support rigging is also required to meet wind load requirements. For details about support rigging, see supplemental instructions SL-3 and project drawings for details.
5. Some structural members, mounting angles, clips, fasteners, and installation hardware may be required and supplied by the installing contractor. The details shown herewithin are recommendations only. Consult project submittal drawings for specific instructions about the installation for your project.
6. Read the entire installation instruction and review the submittal drawings prior to proceeding with installation. Contact Architectural Louvers at 1-888-568-8371 if any questions or concerns arise.

## General Installation Requirements

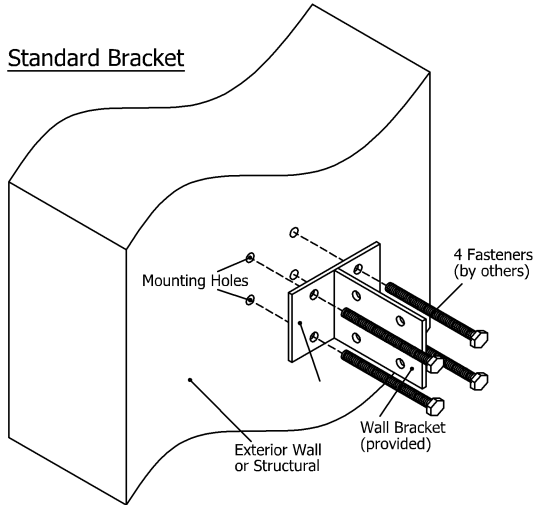
1. For wall bracket mounting instructions, refer to page 2. If a wall cladding is being applied to the building exterior, install extended wall brackets prior to the installation of any exterior wall cladding.
2. For multiple panel units, refer to submittal drawings for wall bracket locations and spacing. Refer to page 3 for additional information about spacing of the wall brackets.
3. Outriggers are mounted to the wall brackets prior to the installation of louvers. Refer to page 3 for outrigger mounting procedures. Refer to project shop drawings for any deviations or additional requirements for your project.
4. Louvers must slide freely between outriggers. Ensure that all outriggers are aligned and level. Make any adjustments prior to the insertion of the louvers.
5. 3 trim styles are available for the outside perimeter of our sun shading system. The details show our "tube trim" style but bullnose or tapered round may be provided and attached in the same manner as the tube trim.
5. Front and end trim are "snap fit" to the louver perimeter and end outriggers. Make sure all trim is properly seated after installation.

## Wall Bracket Mounting Details

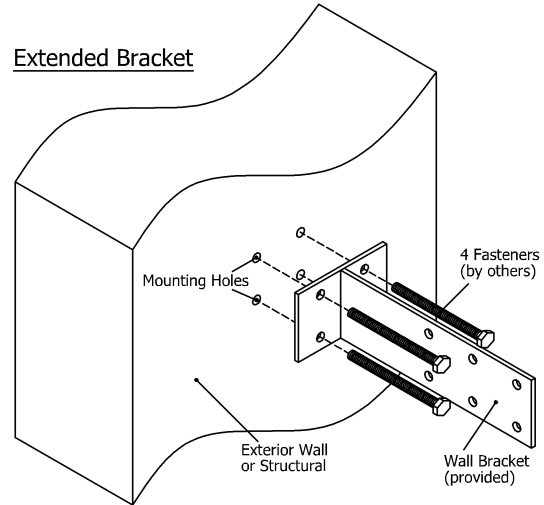
### Surface Mounting to Wood, Steel, Masonry, or Concrete Walls

1. Wall surface must be flat and smooth. Level any surface irregularities prior to installation of wall brackets
2. For the appropriate wall substrate, select fasteners with a 1/2" diameter shaft and rated for a pull-out capacity in excess of 8500 lbs. per fastener.
3. Use the mounting bracket provided to mark the hole pattern at the desired location. Brackets may be standard length or extended for application of exterior cladding. Prepare mounting holes according to the instructions provided by the fastener manufacturer.
4. Mount the wall bracket with 4 fasteners through the pre-punched holes in the mounting bracket.

#### Standard Bracket



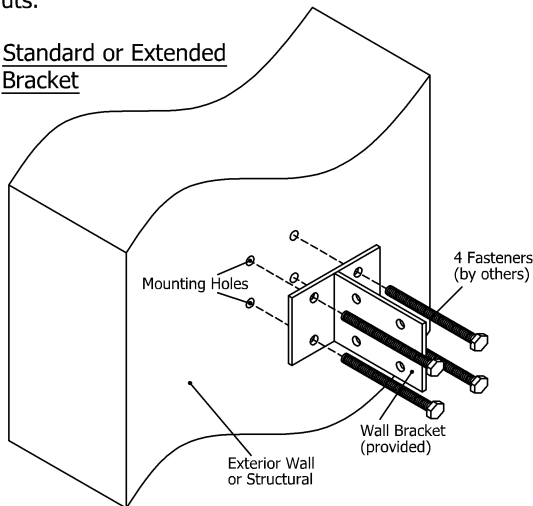
#### Extended Bracket



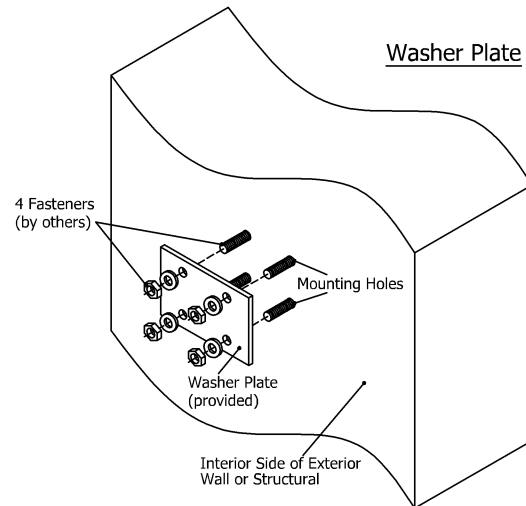
### Through-Wall Mounting to Wood, Steel, Masonry, or Concrete Walls

1. Wall surface must be flat and smooth. Level any surface irregularities prior to installation of wall brackets
2. Select fasteners with a 1/2" diameter shaft and long enough to fasten through the wall thickness plus 1/2" (to accommodate the wall bracket and washer plate)
3. Use the mounting bracket provided to mark the hole pattern at the desired location. Brackets may be standard length or extended for application of exterior cladding. Prepare mounting holes according to the instructions provided by the fastener manufacturer.
4. Mount the wall bracket to the exterior side of the wall with 4 fasteners through the pre-punched holes in the mounting bracket. At the interior side of the wall, apply the washer plate over the 4 fasteners and secure the washer plate with lock washers and nuts.

#### Standard or Extended Bracket



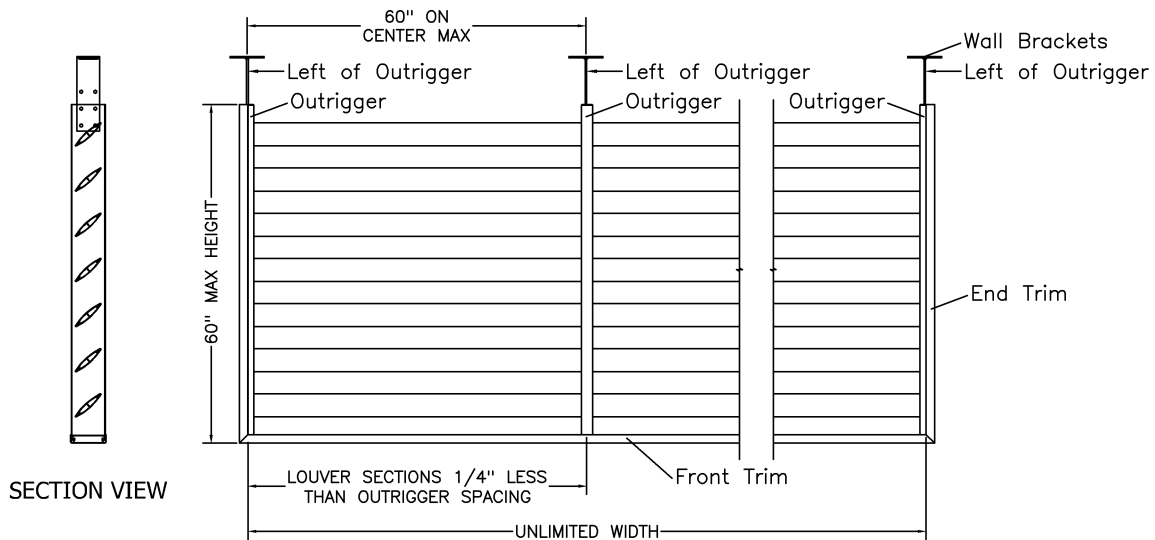
#### Washer Plate



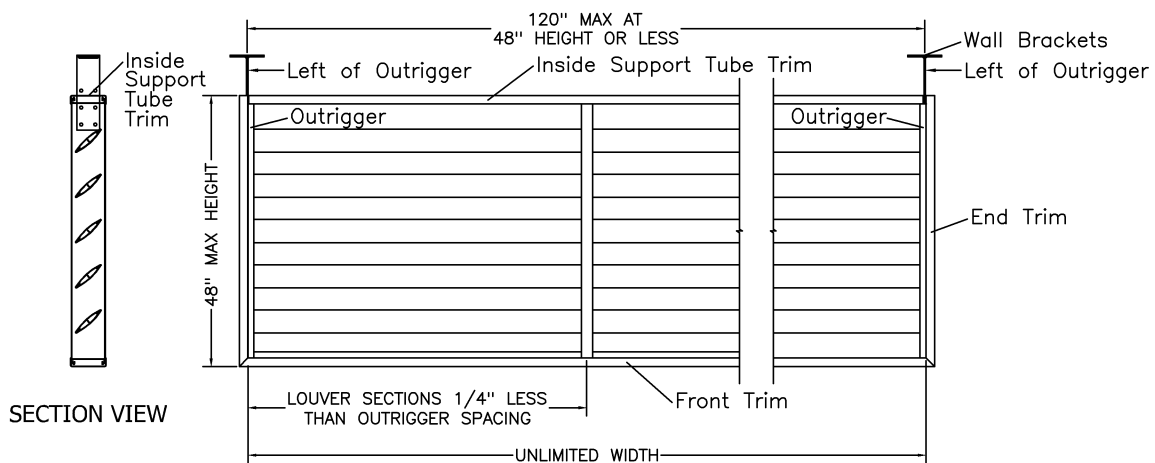
## Wall Bracket Mounting Details

### Spacing of Wall Brackets

1. Louvers fit into the outriggers provided with a minimal gap for louver expansion and contraction. Care must be taken in spacing the wall brackets to allow for proper system operation.
2. Space wall brackets according to the project shop drawings. Dimensions provided are on center (center to center of the wall bracket).
3. Mount all outriggers to the mounting brackets on the same side of each mounting bracket in a run (all left or all right). This will ensure proper gaps for installation of the louvered panels.
4. Ensure that all wall brackets are level for the entire run of brackets. Use a laser level or snap line to assist with proper leveling.
5. Measure each louver panel and determine locations. The wall brackets must be spaced 1/4" larger than the louver size for a proper fit (i.e. a louver with an outside width of 59-3/4" must have wall brackets spaced 60" on center). If the louvers are less than 48" high, the wall brackets may be spaced further with proper support. Consult project submittal drawings for more information.



TOP VIEW - SINGLE PANEL CONFIGURATION (1 LOUVER BETWEEN OUTRIGGER)



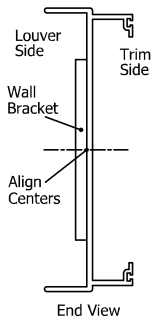
TOP VIEW - DOUBLE PANEL CONFIGURATION (2 LOUVERS BETWEEN OUTRIGGERS)

## Outrigger Mounting Details

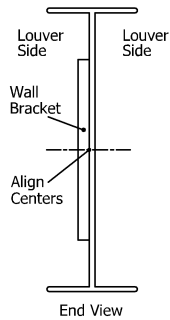
### Mounting of Outriggers to Wall Brackets

1. Determine the locations for both Center and End Outriggers and attach them accordingly.
2. Align the outrigger on the center line of the wall mounting bracket.
3. Space the outrigger the desired distance from the exterior wall surface (typical is 1/2" for single panel configuration, and 2" for double panel configuration)
4. Level the outrigger with a Carpenter's Level or other leveling device. Use clamps or vice grips to assist with holding pressure.
5. Mark the hole locations in the outrigger using the existing holes in the wall mounting bracket. If the extended bracket is being used, any of the 4 holes will provide the necessary support.
6. Remove the outrigger and drill 17/32"  $\varnothing$  holes at the marked locations.
7. Mount the outrigger to the wall mounting bracket with 4 each 1/2"  $\varnothing$  bolts, nuts, and washers (provided). Again, check level of the outrigger and make adjustments as necessary.
8. If any penetrations through exterior cladding were made to accommodate the wall bracket, seal the penetrations with the proper trim and/or caulk. Care should be taken to allow for slight movement of the bracket during louver expansion and contraction.

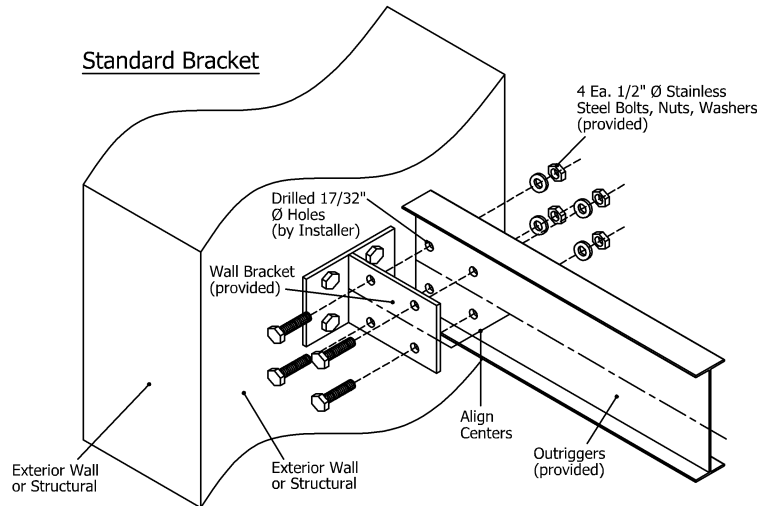
#### End Outrigger



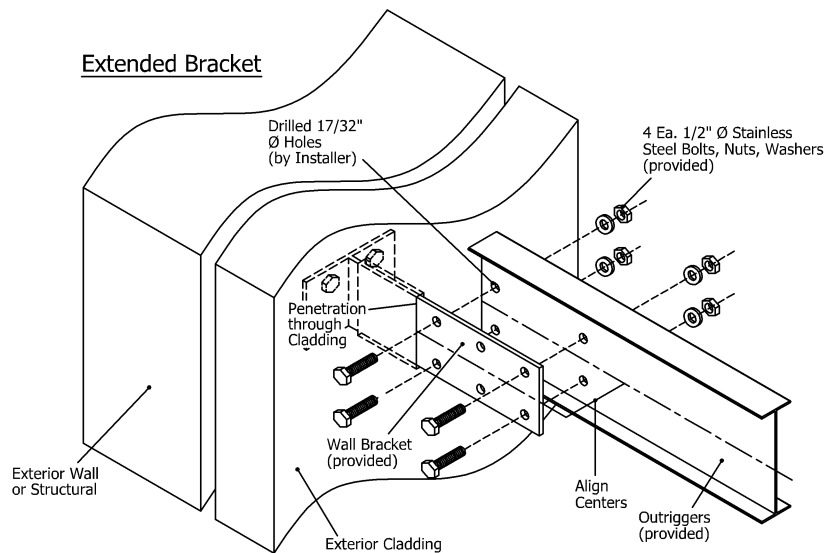
#### Center Outrigger



#### Standard Bracket



#### Extended Bracket

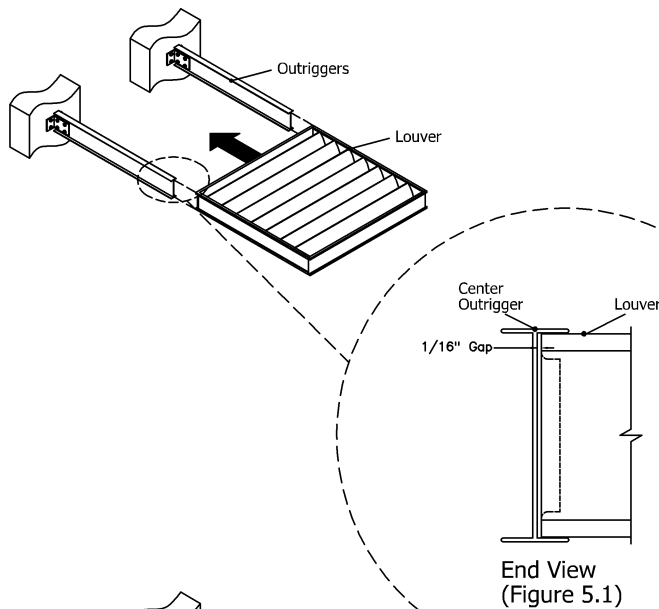


## Louver Panel Mounting and Trim Attachment Details

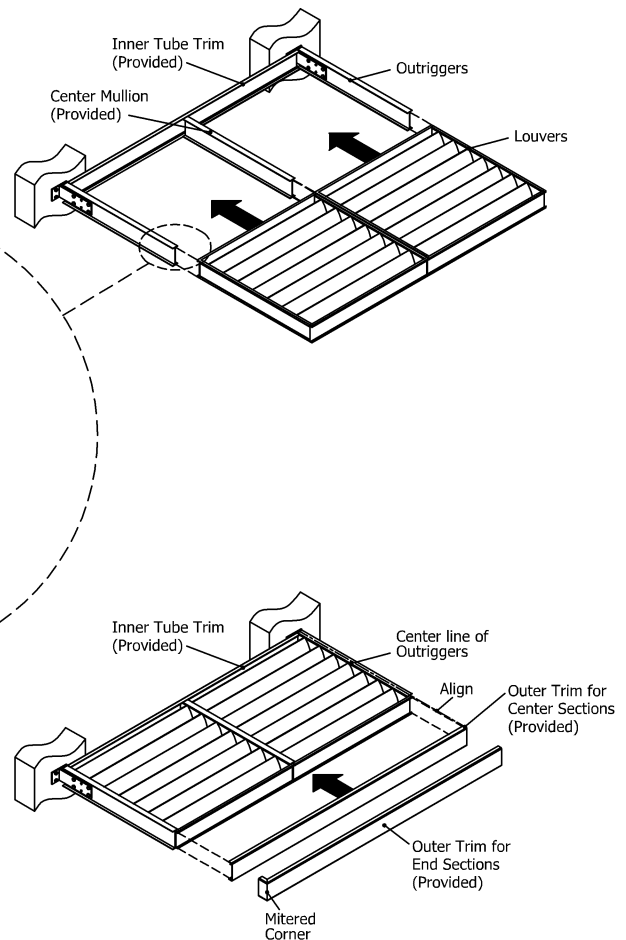
### Mounting of Louver Panels and Edge Trim

1. Measure outrigger inside dimensions and match the proper louver(s) to the openings.
2. Orient the blades with the proper blade direction and angle to provide the intended shading. Refer to project shop drawings prior to insertion of the louvers.
3. If the double panel configuration is being utilized, locate the proper center mullion and inner tube trim. Install these items as shown below. The center mullion installs between louvers. The trim snaps onto the edges of the louver panels. Insure that the trim is properly seated onto the louver frames before continuing.
4. Slide the louvers between the outriggers, leaving 1" of the louver protruding from the end of the outrigger. A gap of 1/16" should exist between the louver frame and the outrigger (fig. 5.1)
5. Install the outer trim onto the louver panels. End sections require a mitered corner front trim section. Center sections have straight cuts on both ends. The end of the trim must align with the center line of the outriggers. The trim snaps onto the edge of the louver panels. Insure that the trim is properly seated onto the louver frames before continuing.

#### Single Panel Configuration

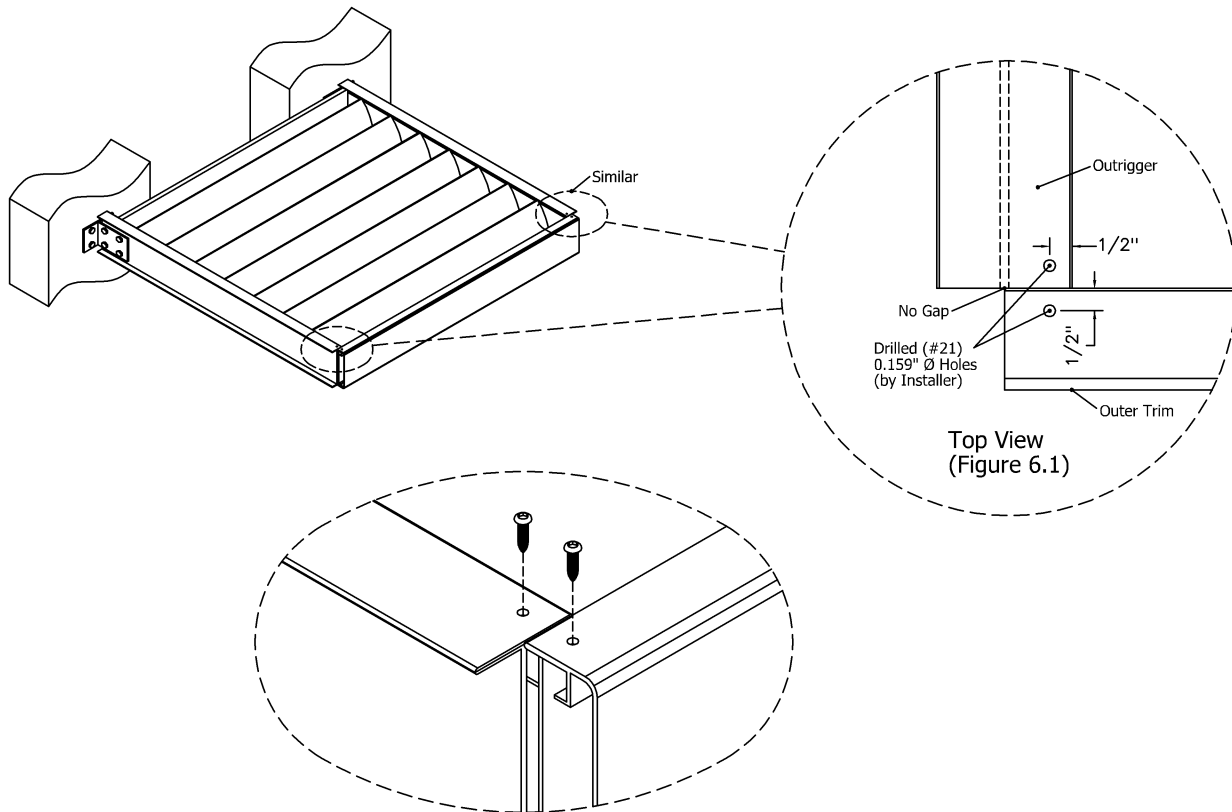


#### Double Panel Configuration



## Alignment and Fastening Details

1. Apply pressure to the outer trim until the outer trim is flush with the end of the outriggers (all locations). Louvers should slide freely between the outriggers for easy in/out adjustment as required.
2. In the top side only, drill 2 holes (#21) 0.159" diameter as shown in figure 6.1. Holes should penetrate the outrigger/front trim and one layer of the louver frame material.
3. Drive #10 stainless steel screws into the holes. Carefully apply touch-up paint to the screw heads following installation.



## End Trim Attachment Details

1. Align the end trim with the edge of the mitered corner trim. No gaps should exist between trim parts. Install End trim onto the End Outriggers. The trim snaps onto the edge of the End Outriggers. Insure that the trim is properly seated and will not come loose when applying mild pressure.

